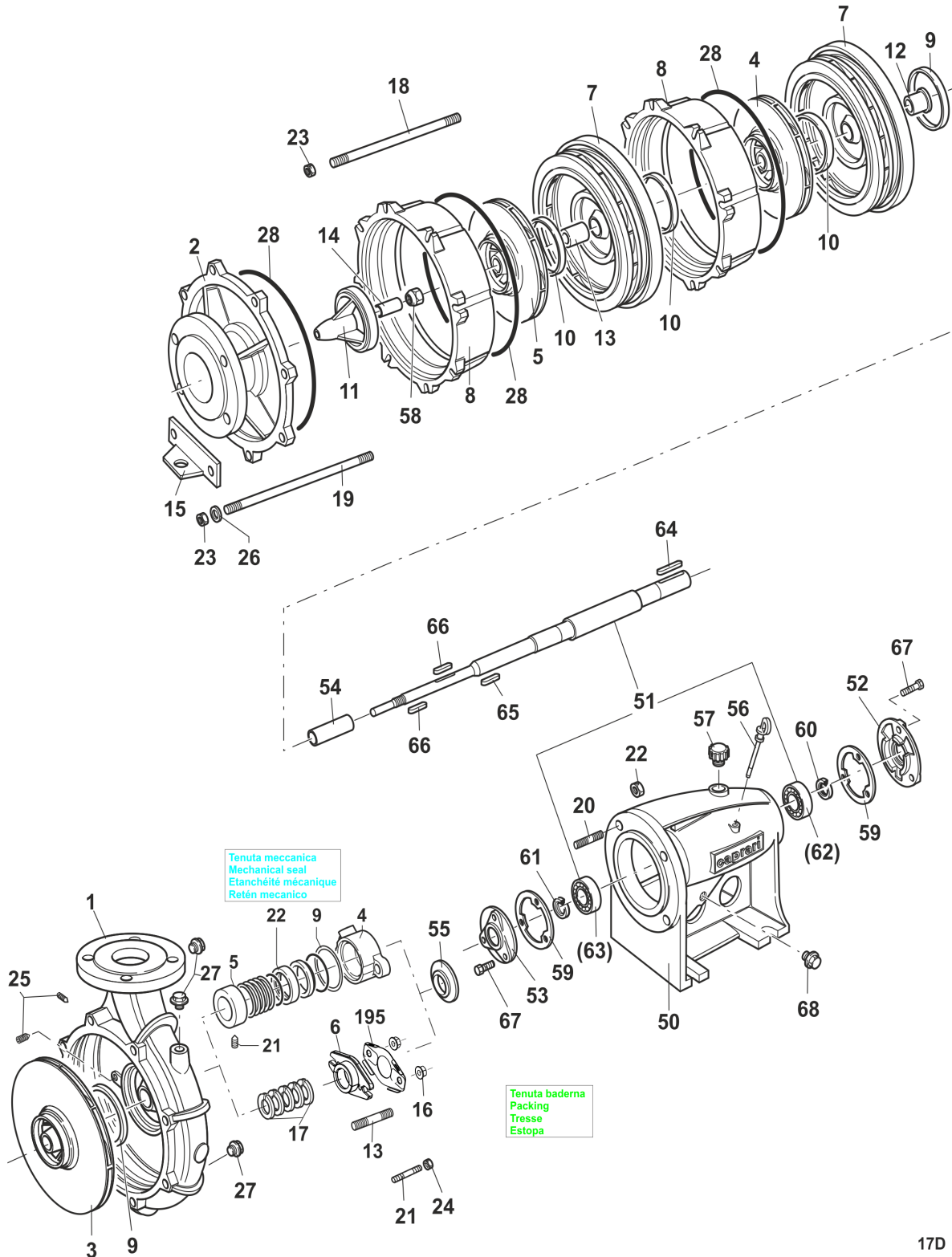


780213 - MEC-MR80-4/3A HORIZONTAL PUMP



COMPONENTS LIST

Pos.	Code	Serial N°	Description	Qty
1	400084	MEC80/330-1	DELIVERY CASING	1 PZ
2	400395	MEC80/330-3	SUCTION COVER	1 PZ
3	400776	MEC80-4/330-5A	IMPELLER D.334	1 PZ
4	400775	MEC80-4/260-5A	IMPELLER D.264	1 PZ
5	400775	MEC80-4/260-5A	IMPELLER D.264	1 PZ
6	411312	P51-8	STUFFING BOX	2 PZ
7	430389	MECM80-73	DIFFUSER	2 PZ
8	430392	MECM80-74	STAGE CASING	2 PZ
9	440538	MEC80/200-165A	WEAR RING	2 PZ
10	440538	MEC80/200-165A	WEAR RING	3 PZ
11	420153	MEC80/260-1029	WEAR RING WITH BEARING BUSH	1 PZ
14	330014	MEC80/260-13	BEARING BUSH	1 PZ
12	410721	MECM80-10	SPACER SLEEVE	1 PZ
13	410721	MECM80-10	SPACER SLEEVE	1 PZ
15	450404	MECM80-207	STAND FEET	1 PZ
16	330737	MEC125/330-141	GASKET FOR SUCTION COVER	2 PZ
17	330345	MEC80/260-33	PACKING	7 PZ
18	300572	PS01099	SPECIAL STUD M14X220 (TO DRAW)	8 PZ
19	300575	PS01100	SPECIAL STUD M14X230 (TO DRAW)	2 PZ
20	300367	PN0722	STUD M16(6G/6G)X35 UNI5909/DIN938-5.8	4 PZ
21	300394	PN02007	STUD M10(6G/6G)X50 UNI5909/DIN938	2 PZ
22	310031	DN0724	NUT M16 UNI5588/DIN934-6S	4 PZ
23	310028	DN0734	NUT M14 UNI5588/DIN934-6S	10 PZ
24	310219	DN0037495	NUT M10 UNI EN20898/2/DIN6923-A2	2 PZ
25	300745	GC0735	DOWEL M10X12 UNI5923/DIN913-12.9	2 PZ
26	310321	RLS0250	WASHER 15X31X3	2 PZ
27	310714	TF01304	PLUG 3/8"GAS CONICAL (AFL N.290/292)	3 PZ
28	330466	OR01000	OR SEAL 329,79X3,53 OR41300 (AP)	2 PZ
50	440806	MEC3A-178	PEDESTAL	1 PZ
51	411163	MEC3AMR-4/3-1007	PUMP SHAFT + CSN L.817	1 PZ
62	350087	CSN0940	BEARING 3208/C3 (N.14 BALLS)	1 PZ
63	350113	CSN0943	BEARING 3307/C3	1 PZ
52	410672	MEC3A-9	BEARING COVER	1 PZ
53	410672	MEC3A-9	BEARING COVER	1 PZ
54	410862	MEC3AU-220	SHAFT SPACER SLEEVE	1 PZ
55	310836	MEC80/260-18	DEFLECTOR	1 PZ
56	310817	MEC3A-26	OIL DIPSTICK L=94	1 PZ
57	310743	MEC1A-28	OIL FILTER PLUG	1 PZ
58	330133	DS02310	NON-STANDARD NUT M24X2X21 UNI7474 (TO DRAW)	1 PZ
59	330825	MEC3A-146	GASKET FOR FLANGE	2 PZ
60	330263	AT0362	SEAL RING 40X52X7	1 PZ
61	330259	AT01785	SEAL RING 35X52X7	1 PZ
64	310462	LCH0458	FEATHER KEY A10X8X70 UNI6604-C50	1 PZ
65	310434	LCH0760	FEATHER KEY A8X7X35 (TOL.UNI6604)-C50	1 PZ
66	310434	LCH0760	FEATHER KEY A8X7X35 (TOL.UNI6604)-C50	2 PZ
67	300055	VTE0116	SCREW M8X20 UNI5739/DIN933-8.8	6 PZ
68	310714	TF01304	PLUG 3/8"GAS CONICAL (AFL N.290/292)	1 PZ