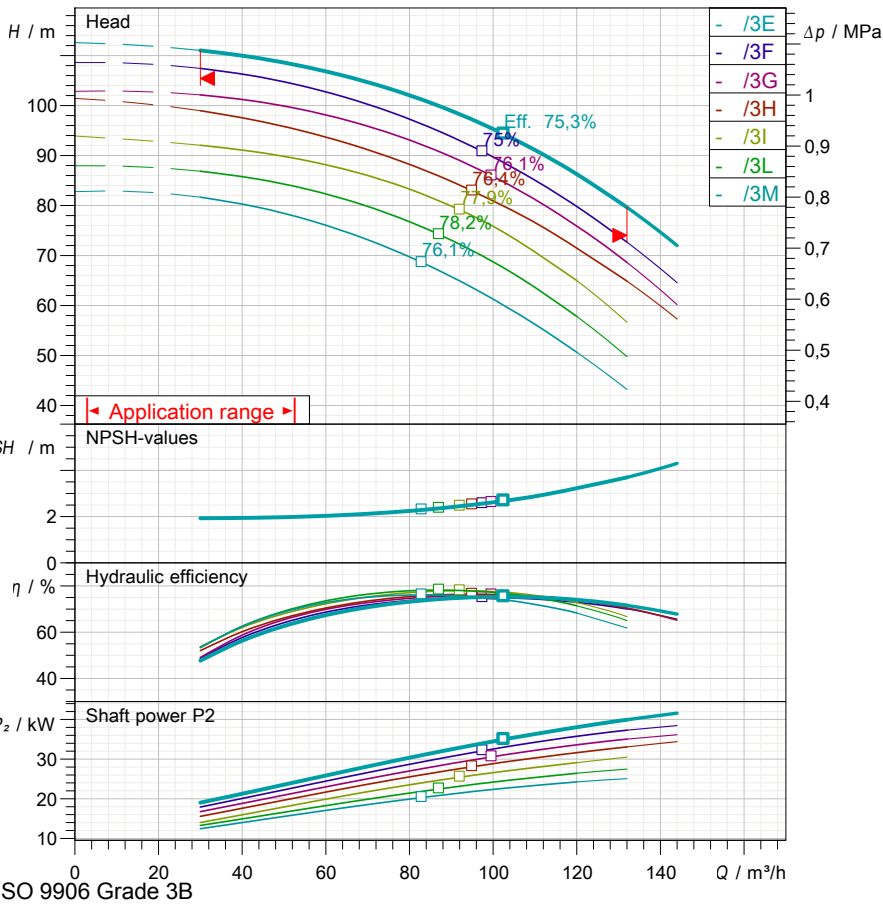


## Technical data

### S3K100H/3E



#### Operating data specification

|                      |                    |
|----------------------|--------------------|
| Capacity             |                    |
| Head                 |                    |
| Fluid                | Pure water         |
| Type of installation | <Single head pump> |

#### Pump operating data

|                        |            |
|------------------------|------------|
| Design                 | S3K100H/3E |
| Impeller $\varnothing$ |            |
| Speed                  | 1600 1/min |
| Flow                   |            |
| Head                   |            |
| Shaft power $P_2$      |            |
| Efficiency             |            |
| Head (Q=0)             | 113 m      |
| Non return valve loss  |            |

#### Electric motor technical data

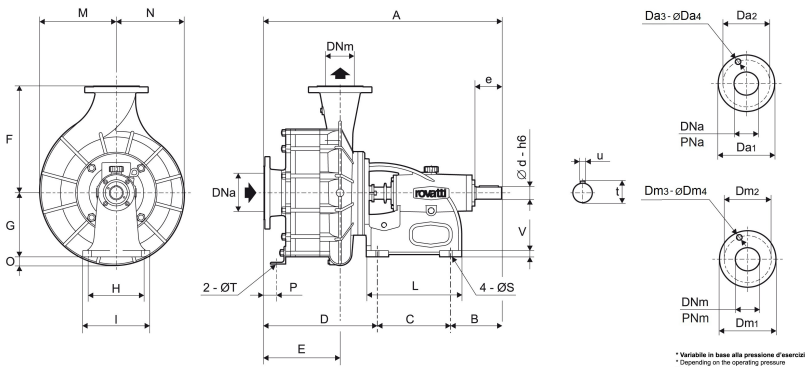
|                      |  |
|----------------------|--|
| Design               |  |
| Rated power          |  |
| Frequency            |  |
| Number of poles      |  |
| Nominal speed        |  |
| Rated voltage        |  |
| Starting mode        |  |
| Rated current        |  |
| Insulation class     |  |
| Degree of protection |  |

#### Use limits

|                                |              |
|--------------------------------|--------------|
| Max N° startings/hour          |              |
| Max. runing time with Q=0      | 2 min        |
| Max. solids contents           | 40 $g/m^3$   |
| Max. pumped liquid temperature | 90 °C        |
| Maximum density                | 998 $kg/m^3$ |
| Maximum viscosity              | 1 $mm^2/s$   |

#### Materials

|                          |                          |
|--------------------------|--------------------------|
| Suction bowl             | Cast iron                |
| Wear ring                | Cast iron                |
| Impeller                 | Cast iron + Cataphoresis |
| Pump body                | Cast iron                |
| Twiner system®           | Stainless steel          |
| Stuffing-box packing     | Synthetic fibers         |
| Bearing support          | Cast iron                |
| Tie rod                  | Steel                    |
| Diffuser shell           | Cast iron                |
| Diffuser                 | Cast iron + Cataphoresis |
| Shaft protection bushing | Steel                    |
| Shaft                    | Steel                    |
|                          |                          |
|                          |                          |
|                          |                          |
|                          |                          |



\* Variabile in base alla pressione d'esercizio  
\* Depending on the operating pressure  
\* Selon la pression de service  
\* Abhängig von den Druck  
\* Varía con la presión

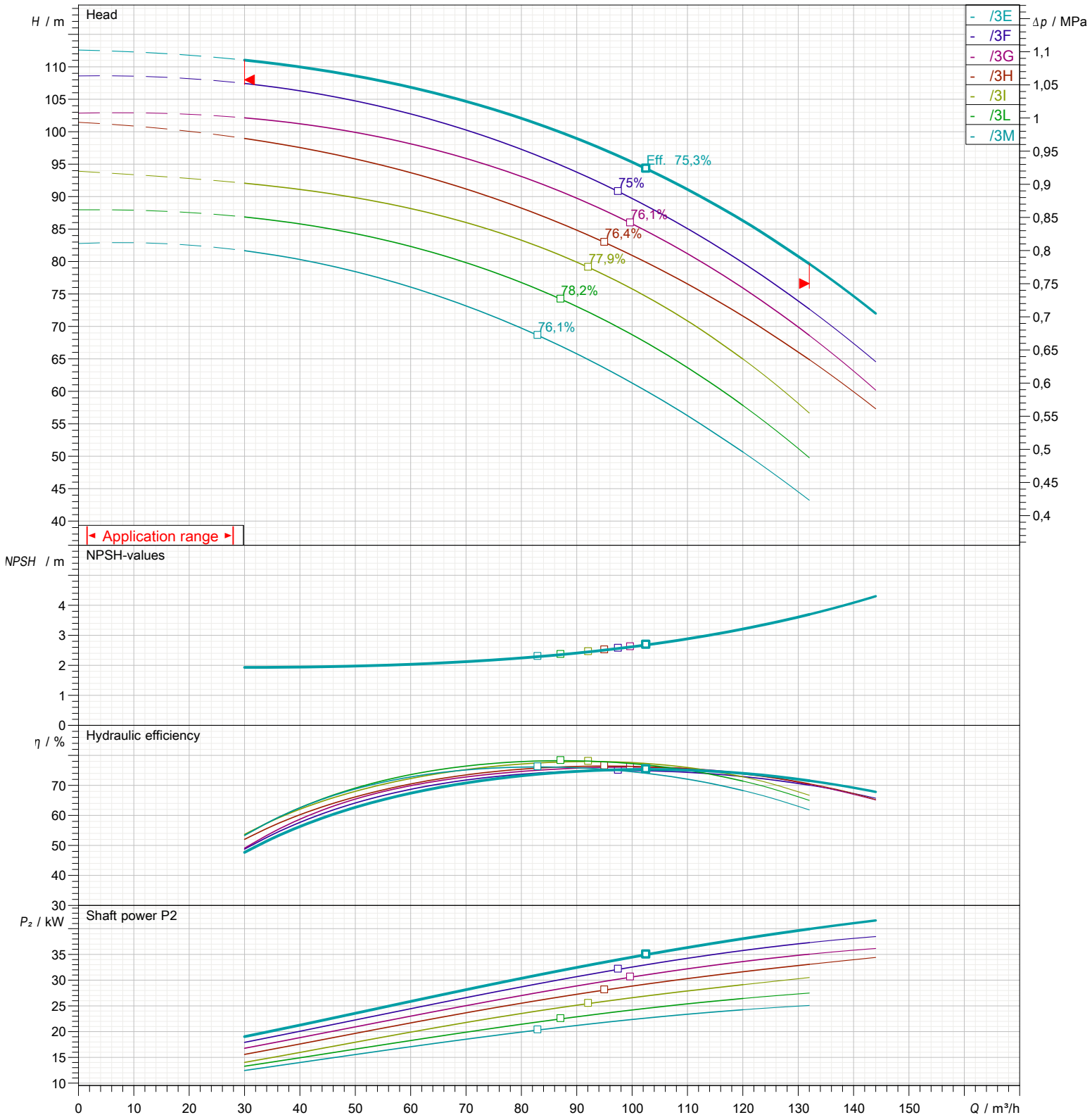
| Dimensions in |     |   |     |     | mm   |      | Total weight |     | 149 kg |  |
|---------------|-----|---|-----|-----|------|------|--------------|-----|--------|--|
| DNa           | 100 | G | 200 | S   | 19   | Da2  | 180          | Da3 | 8      |  |
| DNm           | 80  | H | 175 | T   | 16   | PNe  | 10           |     |        |  |
| A             | 813 | I | 210 | V   | 20   | Dm1  | 200          |     |        |  |
| B             | 148 | L | 300 | d   | 38   | Dm2  | 160          |     |        |  |
| C             | 230 | M | 240 | e   | 80   | PNrr | 16 \ 25*     |     |        |  |
| D             | 435 | N | 220 | u   | 10   | Da4  | 19           |     |        |  |
| E             | 334 | O | 25  | t   | 41,7 | Dm4  | 8            |     |        |  |
| F             | 330 | P | 51  | Da1 | 220  | Dm4  | 19           |     |        |  |

## Performance curves

### S3K100H/3E

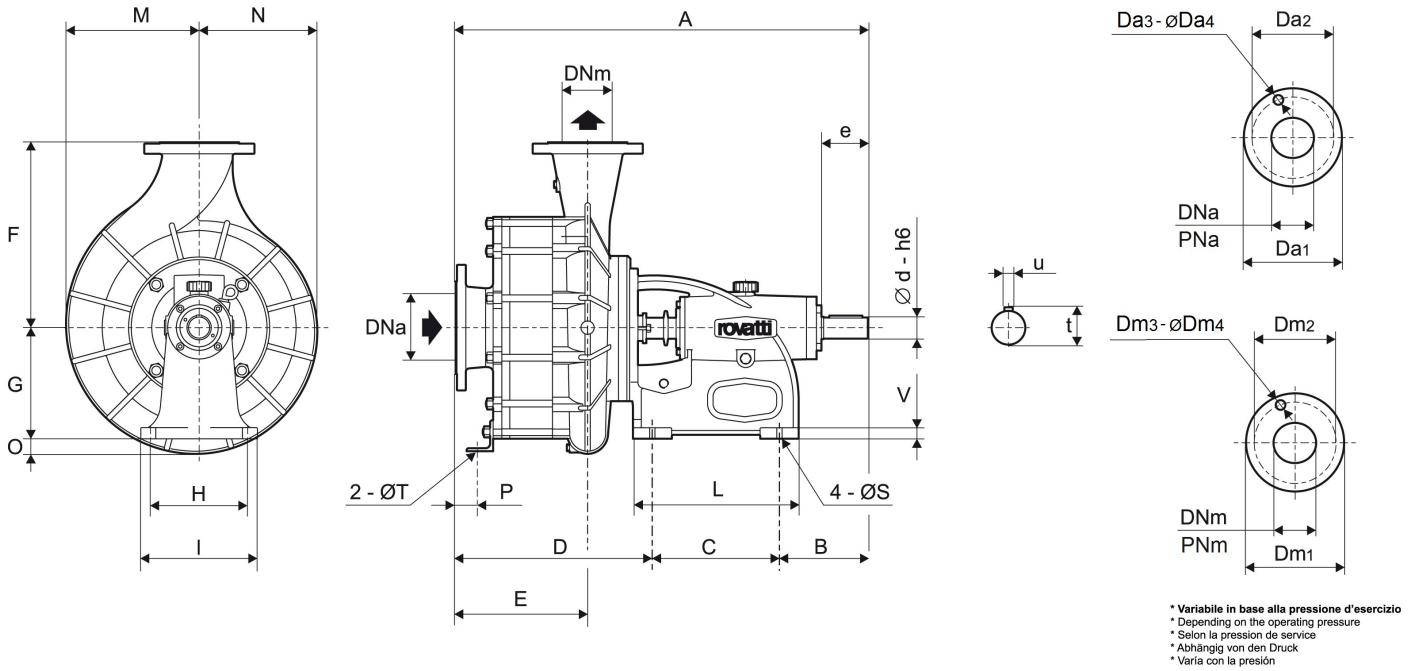
#### Performances

|            |                            |             |                       |
|------------|----------------------------|-------------|-----------------------|
| Speed      | 1600 1/min                 | Density     | 998 kg/m <sup>3</sup> |
| Flow       | Min. 30 m <sup>3</sup> /h  | Viscosity   | 1 mm <sup>2</sup> /s  |
|            | Max. 132 m <sup>3</sup> /h | Temperature | 20 °C                 |
| Efficiency | Max. 103 m <sup>3</sup> /h | Tolerances  | ISO 9906 Grade 3B     |



## Types of installation

### S3K100H/3E



\* Variabile in base alla pressione d'esercizio  
 \* Depending on the operating pressure  
 \* Selon la pression de service  
 \* Abhängig von den Druck  
 \* Varía con la presión

| Dimensions in | mm  | Total weight | 149 kg   |
|---------------|-----|--------------|----------|
| DNa           | 100 | u            | 10       |
| DNm           | 80  | t            | 41,7     |
| A             | 813 | Da1          | 220      |
| B             | 148 | Da2          | 180      |
| C             | 230 | PNa          | 10       |
| D             | 435 | Dm1          | 200      |
| E             | 334 | Dm2          | 160      |
| F             | 330 | PNr          | 16 \ 25* |
| G             | 200 | Da4          | 19       |
| H             | 175 | Dm4          | 8        |
| I             | 210 | Dm4          | 19       |
| L             | 300 | Da3          | 8        |
| M             | 240 |              |          |
| N             | 220 |              |          |
| O             | 25  |              |          |
| P             | 51  |              |          |
| S             | 19  |              |          |
| T             | 16  |              |          |
| V             | 20  |              |          |
| d             | 38  |              |          |
| e             | 80  |              |          |