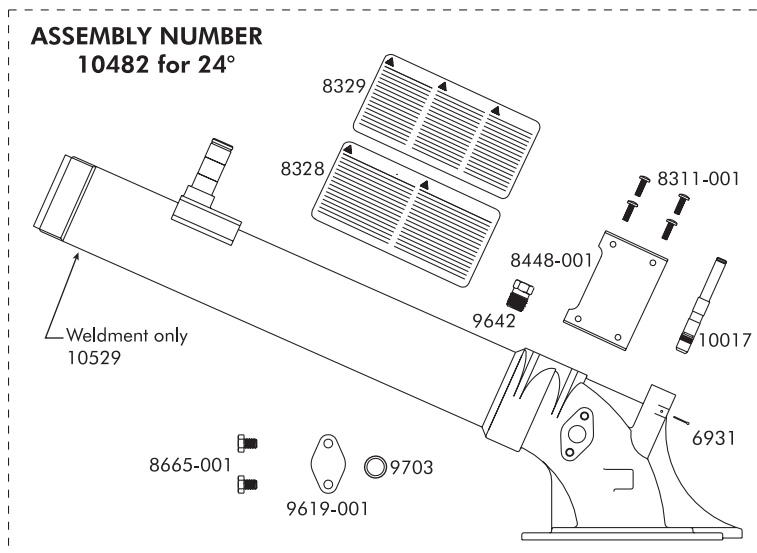
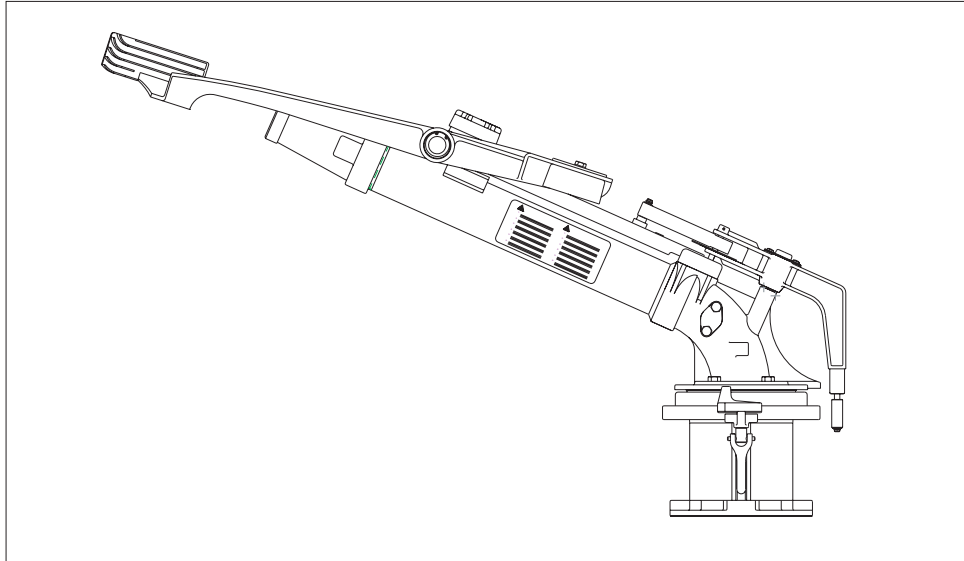
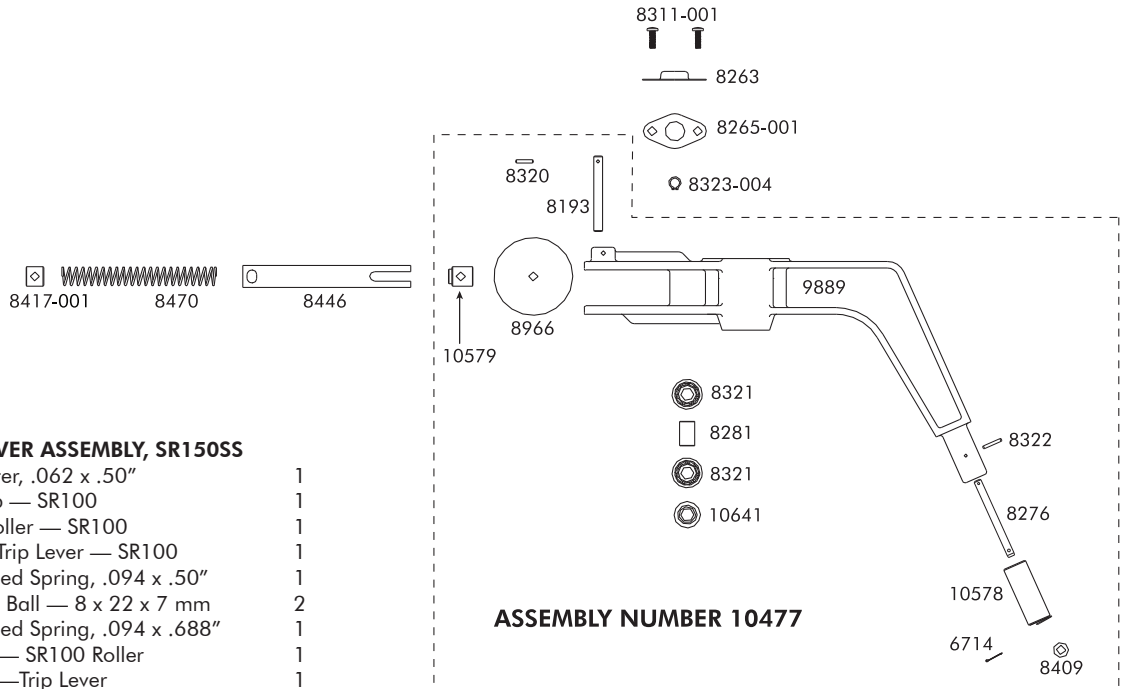
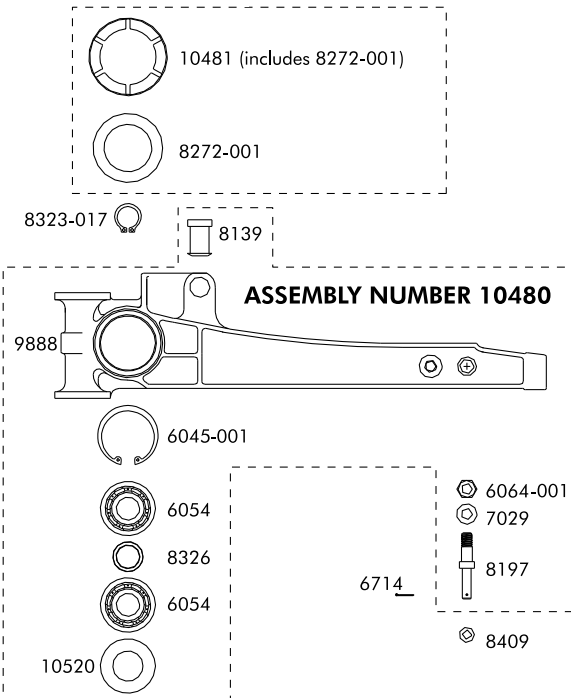


innovation in irrigation™

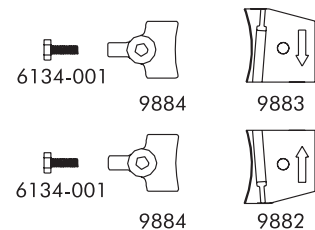
NELSON**SR150SS BIG GUN®****SR150SS (STAINLESS STEEL) BIG GUN® PARTS LIST**

10482 part number	BODY ASSEMBLY, 24° SR150SS description	qty.
6931	Pin, Coiled Spring, .125 x .75"	1
8311-001	Screw, #8-32 x .375"	1
	Self-Tapping Pan HD, 316 SS	4
8328	Label, Warning — English, Spanish	1
8329	Label, Warning — German, French, Swedish	1
8448-001	Bracket, Stop — SR150SS	1
8665-001	Screw, .25-.20 x .375"	1
	Hex HD Cap, 316 SS	2
9619-001	Plate, Cover —	
	Secondary Elbow Port — SR150SS	1
9642	3RN Plug, 1/4" NPT, STN STL	1
9703	O-Ring, -016, Viton	1
10017	Shaft, Shift Lever	1

10480	SHIFT LEVER ASSEMBLY, SR150SS	
part number	description	qty.
6045-001	Ring, Retaining — Internal	1
6054	Bearing, Ball	2
6064-001	Nut, 5/16-18, 316 SS	1
7029	Washer, Lock, 5/16"	1
8139	Bumper	1
8197	Pin, Shift	1
8326	Spacer	1
9888	Lever, Shift — SR150SS	1
10520	Seal, Oil, Viton	1



10477	TRIP LEVER ASSEMBLY, SR150SS	
part number	description	qty.
6714	Pin, Cotter, .062 x .50"	1
8193	Pin, Stop — SR100	1
8276	Shaft, Roller — SR100	1
8281	Spacer, Trip Lever — SR100	1
8320	Pin, Coiled Spring, .094 x .50"	1
8321	Bearing, Ball — 8 x 22 x 7 mm	2
8322	Pin, Coiled Spring, .094 x .688"	1
8409	Washer — SR100 Roller	1
8966	Washer — Trip Lever	1
9889	Lever, Trip — SR150SS	1
10578	Roller — SR150SS	1
10579	Follower — SR150SS	1
10641	Seal, Trip Lever — SR150SS	1

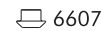
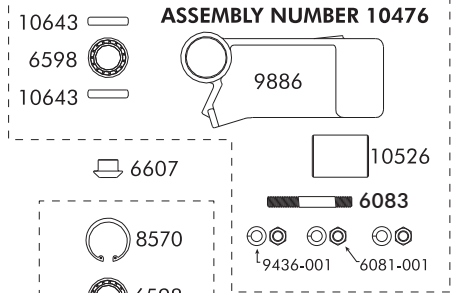
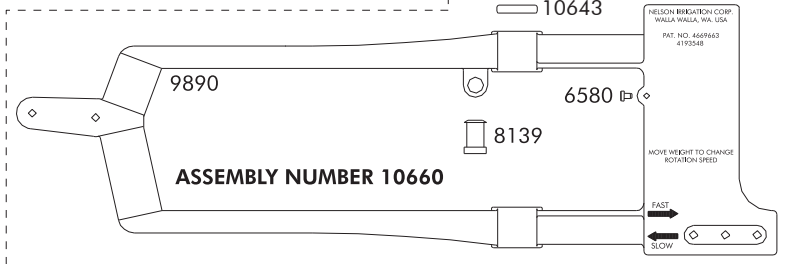
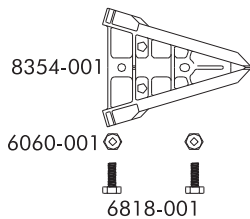


10476 COUNTERWEIGHT ASSEMBLY, SR150SS

part number	description	qty.
6081-001	Nut, 3/8-16, 316 SS	3
6083	Stud, Brake	1
6598	Bearing, Ball	1
9436-001	Washer, Lock, 3/8", 316 SS	3
9886	Counterweight — SR100	1
10526	Weight, Supplemental	1
10643	Seal, Oil	2

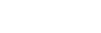
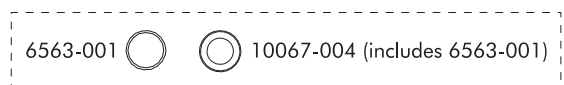
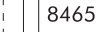
10660 DRIVE ARM ASSEMBLY, SR150SS

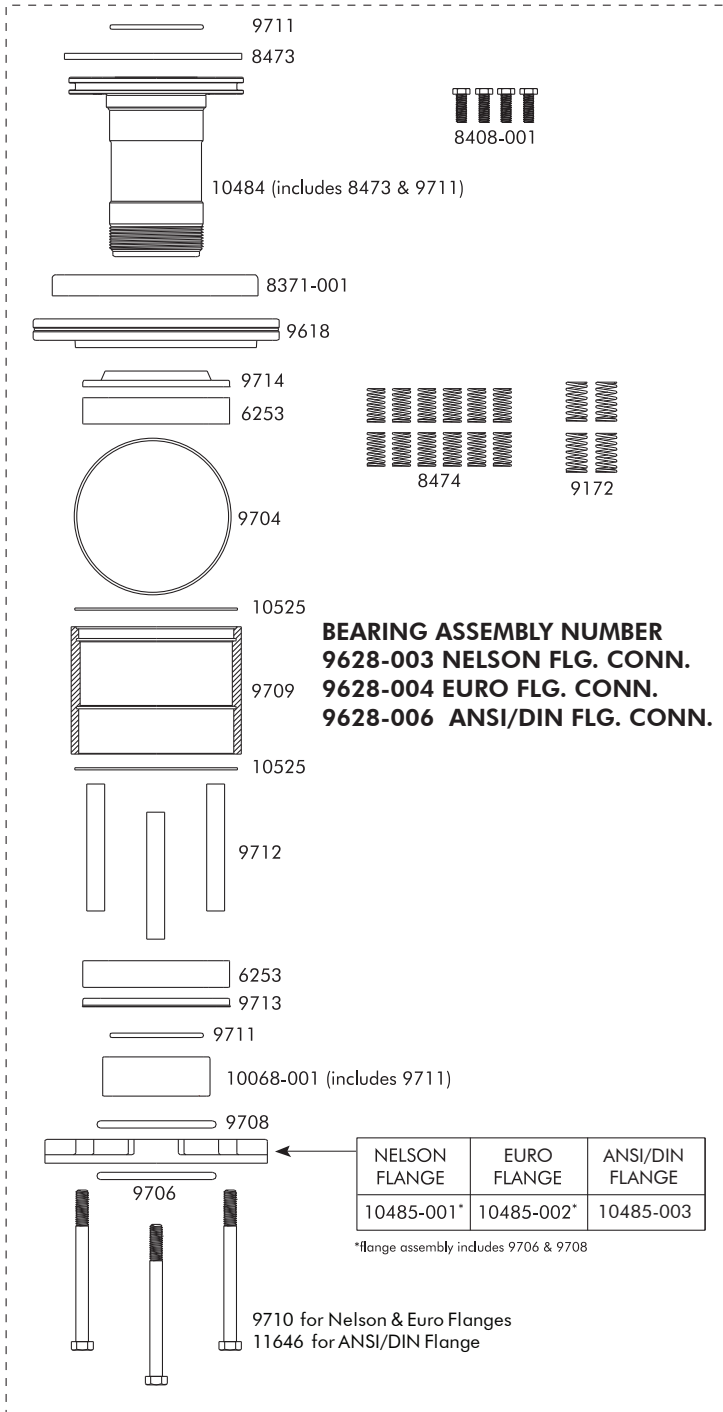
part number	description	qty.
6580	Insert, Rest Pad	1
6598	Bearing, Ball	2
8139	Bumper	1
8570	Ring, Retaining — Internal	1
9890	Arm, Drive	1
10643	Seal, Radial	2



FINAL ASSEMBLY COMPONENTS, SR150SS

6060-001	Nut, .25-20, 316 SS	2
6563-001	O-Ring, -024 Viton	2
6565	Ring, Retaining, -125 Basic Internal	2
6603	Nut, .438-20 Special	2
6607	Spacer — BRKT to CWT — F100	1
6607-001	Spacer, Coated — BRKT to Drive Arm	1
6714	Pin, Cotter, .062 x .50"	1
6818-001	Screw, .25-20 x .75"	1
	Hex HD Cap, 316SS	3
8263	Cap, Trip Lever — SR100	1
8265-001	Gasket, Trip Lever Cap — SR150SS	1
8272-001	Gasket, Shift Lever Cap — SR150SS	1
8311-001	Screw, #8-32 x .375"	1
	Self-Tapping Pan HD, 316 SS	2
8323-004	Ring, Retaining, -31, Basic External	1
8323-017	Ring, Retaining, -66, Basic External	1
8327-001	Spacer, Coated — Drive Arm to CWT	1
8354-001	Vane, Drive — SR150SS Waste	1
8408-001	Screw, .312-18 x .875"	1
	Hex HD Cap, 316 SS	4
8409	Washer — SR100 Roller	1
8417-001	Stop, Trip Spring	1
8446	Guide, Spring — SR150	1
8465-001	Shaft, Drive Arm — SR150SS	1
8470	Spring, Trip	1
8904-001	Washer, .25" Reg. Spring Lock, 316 SS	1
9882	Stop, CW — SR150SS	1
9883	Stop, CCW — SR150SS	1
9884	Clamp — SR150SS	2
9887	Weight, Drive Arm — SR150SS	1
10067-004	Cap Assembly, Arm Bearing — SR150SS	2





BEARING ASSEMBLY NUMBER
9628-003 NELSON FLG. CONN.
9628-004 EURO FLG. CONN.
9628-006 ANSI/DIN FLG. CONN.

BEARING ASSEMBLY HD150SS

part number	description	qty.
6253	Bearing, Ball	2
8371-001	Brake — HD150SS	1
8408-001	Screw, 5/16-18 x 7/8"	
	Hex Hd Cap, 316 SS	4
8473	Seal, Dust	1
8474	Spring, Brake	12
9172	Spring, Brake, Inner — HD200	4
9618	Cover — HD150SS	1
9704	O-Ring -046, Viton	1
9706	O-Ring -343, Viton	1
9708	O-Ring -338, Viton	1
9709	Housing — HD150SS	1
9710	Screw, Hex Cap, 3/8-16 x 4 1/2" LG., 316 SS	3
9711	O-Ring -230, Viton	2
9712	Spacer — HD150SS	3
9713	Seal, Center — HD150SS	1
9714	Seal, Upper — HD150SS	1
10068-001	Retainer Assembly — HD150SS	1
10484	Stem Assembly — HD150SS	1
10485-001	Nelson Flange Assy — HD150SS	1
10485-002	Euro Flange Assy — HD150SS	1
10485-003	ANSI/DIN Flange Assy — HD150SS	1
10525	Retaining Ring, -433 Spiral Internal	2
11646	Screw, .376-16 x 4.50" LG Hex Skt Hd Cap 316SS	3

MOUNTING HARDWARE

6024-001	Bolt, 3/8-16 x 1 1/2" LG., 316 SS	6
6081-001	Nut, 3/8-16, 316 SS	6
9004-001	Screw, M8 x 1.25 x 25 mm Hex Hd Cap, 316 SS	6

FASTENERS FOR GUN MOUNTING

NELSON FLG. CONN.

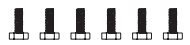


6024-001



6081-001

METRIC FLG. CONN.



9004-001

WARRANTY AND DISCLAIMER

Nelson Big Gun sprinklers are warranted for one year from date of original sale to be free of defective materials and workmanship when used within the working specifications for which the product was designed and under normal use and service. The manufacturer assumes no responsibility for installation, is limited solely to replacement or repair of defective parts, and the manufacturer will not be liable for any crops or other consequential damages resulting from any defects or breach of warranty. THIS WARRANTY IS EXPRESSLY IN LIEU OF ALL OTHER WARRANTIES, EXPRESS OR IMPLIED, INCLUDING THE WARRANTIES OF MERCHANTABILITY AND FITNESS FOR PARTICULAR PURPOSES AND OF ALL OTHER OBLIGATIONS OR LIABILITIES OF MANUFACTURER. No agent, employee or representative of the manufacturer has authority to waive, alter or add to the provision of the warranty, nor to make any representations or warranty not contained herein.