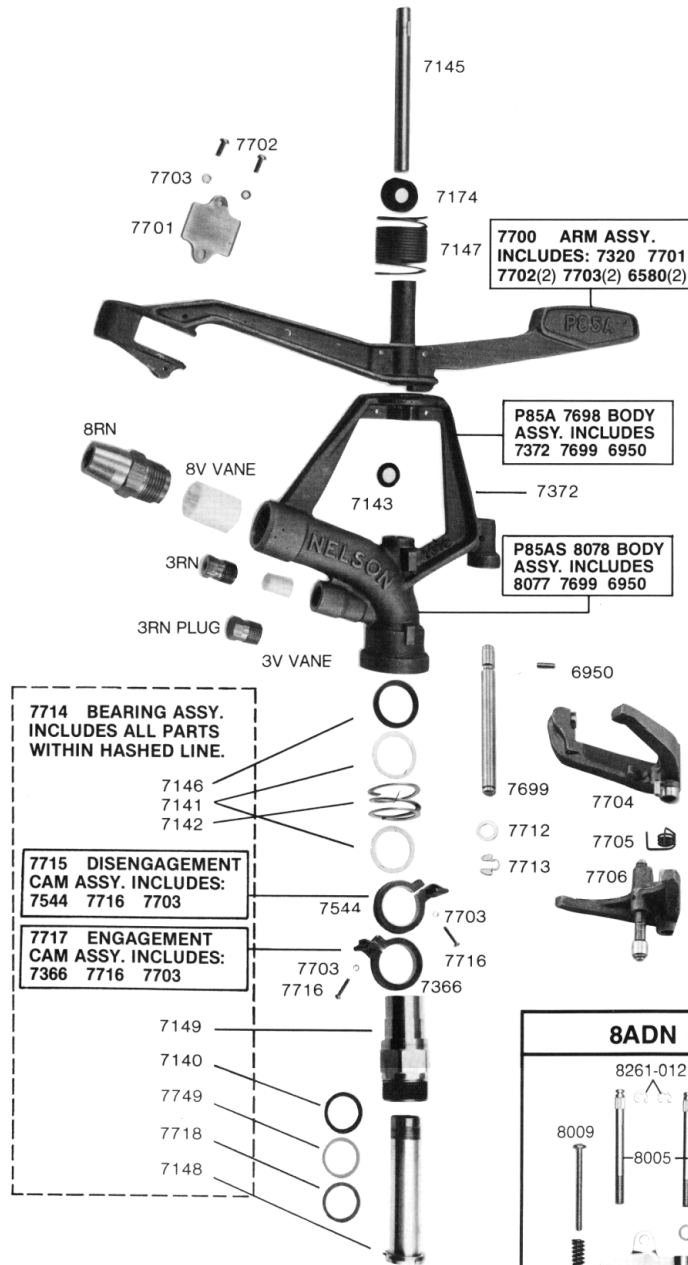


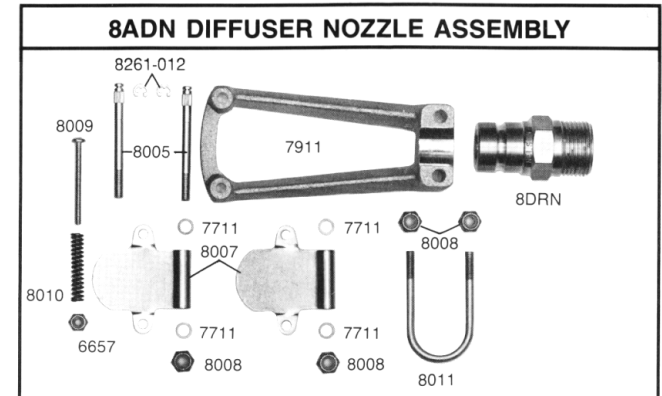
# NELSON PART CIRCLE IMPACT SPRINKLER P85A

IS-PL-2

## Nelson Impact Sprinkler Parts List



PART NO.	QTY. REQ.	DESCRIPTION
6657	1	LOCKNUT (#6-32)
6950	1	SPIROL PIN
7140	1	UPPER SEAL WASHER
7141	2	BRASS WASHER
7142	1	BEARING SPRING
7143	1	SPACER WASHER
7145	1	FULCRUM PIN
7146	1	TOP BEARING WASHER
7147	1	ARM SPRING
7148	1	NIPPLE BEARING
7149	1	SLEEVE BEARING
7174	1	ARM HOOD
7366	1	ENGAGEMENT CAM
7372	1	BODY P85A
7544	1	DISENGAGEMENT CAM
7698	1	BODY ASSY P85A
7699	1	PIN (REVERSE PIVOT)
7700	1	ARM ASSY.
7701	1	VANE
7702	2	SCREW #6-32 x .38"
7703	4	LOCK WASHER #6
7704	1	UPPER TRIP ASSY.
7705	1	TRIP SPRING
7706	1	LOWER TRIP ASSY.
7711	4	WASHER
7712	1	WASHER
7713	1	RETAINING RING
7714	1	BEARING ASSY.
7715	1	DISENGAGEMENT CAM ASSY.
7716	2	SCREW #6-32 x .75"
7717	1	ENGAGEMENT CAM ASSY.
7718	1	LOWER SEAL WASHER
7749	1	LOWER BEARING WASHER
7911	1	FRAME
8005	2	PIN
8007	2	DIFFUSER PLATE
8008	4	LOCKNUT (#10-32)
8009	1	SCREW (#6-32 x 1.5)
8010	1	SPRING
8011	1	U-BOLT
8077	1	BODY P85AS
8078	1	BODY ASSY. P85AS
8261-012	2	RETAINING RINGS



NELSON IRRIGATION CORPORATION  
848 Airport Rd. Walla Walla, WA 99362  
Tel: 509.525.7660 Fax: 509.525.7907  
E-mail: info@nelsonirrigation.com  
Web: www.nelsonirrigation.com

## NELSON IMPACT SPRINKLER PART NUMBERS

	SPRINKLER MODEL																					
	20-W	20-02	20-04	20-06	L20-W	L20-04	L22-04	F32S	F32AS	F33	F33S	F33A	F33AS	F33AA	F43	F43A	F44AAB	F70	F70A	F80A	F80AS	
FULCRUM PIN	7076	7076	7076	7076	7076	7076	7076	6163	6163	6163	6163	6163	6163	6163	6496	6496	6159	6496	6496	7145	7145	
ARM SPRING	7152	7152	7152	7152	7152	7152	7152	6160	6160	6183	6183	6183	6183	6183	6493	6493	6644	7120	7120	7147	7147	
ARM HOOD	7069	7069	7069	7069	7069	7069	7069	6161	6161	6161	6161	6161	6161	6161	6494	6494	6161	6494	6494	7174	7174	
ARM	8130	7892	7674	7910	8220	7153	7153	6158	6718	9733	9733	6692	6692	6692	6491	6900	6640	7243	7100	7154	7154	
WEDGE BLOCK	8202	-	-	-	8202	-	-	-	-	-	-	-	-	-	-	-	-	-	-	-	-	
PIN	8735	-	-	-	8735	-	-	-	-	-	-	-	-	-	-	-	-	-	-	-	-	
WASHER & SEAL	9695/ 8224	-	-	-	9695/ 8224	-	-	-	-	-	-	-	-	-	-	-	-	-	-	-	-	
SEAL	8223	-	-	-	8223	-	-	-	-	-	-	-	-	-	-	-	-	-	-	-	-	
RETAINING RING	8106	-	-	-	8106	-	-	-	-	-	-	-	-	-	-	-	-	-	-	-	-	
SPACER WASHER	-	-	-	-	-	-	-	6162	6162	6162	6162	6162	6162	6162	6495	6495	6162	6495	6495	7143	7143	
BODY	7673	7673	7673	7673	A	A	7909	6318	6696	6316	6318	7025	6696	6693	6489	6899	8512	7242	7150	7151	8080	
BEARING ASSEMBLY	B	B	B	B	B	B	B	6413	7060	7060	7060	7060	7060	7060	7060	7060	8737	C	C	7197	7197	
TOP BEARING WASHER	7080	7080	7080	7080	7080	7080	7080	6737	6737	6737	6737	6737	6737	6737	6737	6737	6737	6737	7173	7173	7146	7146
BRASS WASHER	7078	7078	7078	7078	7078	7078	7078	6152	6152	6152	6152	6152	6152	6152	6152	6152	6152	7102	7102	7141	7141	
BEARING SPRING	B	B	B	B	B	B	B	6151	6151	6151	6151	6151	6151	6151	6151	6151	6151	8738	8738	7142	7142	
SLEEVE BEARING	B	B	B	B	B	B	B	8770	8770	8770	8770	8770	8770	8770	8770	8770	8770	C	C	7149	7149	
TOP SEAL WASHER	7079	7079	7079	7079	7079	7079	7079	8769	8769	8769	8769	8769	8769	8769	8769	8769	8769	7101	7101	7140	7140	
LOWER BEARING WASHER	7081	7081	7081	7081	7081	7081	7081	6149	6736	6736	6736	6736	6736	6736	6736	6736	6736	7157	7157	7749	7749	
LOWER SEAL WASHER	7079	7079	7079	7079	7079	7079	7079	6148	6148	6148	6148	6148	6148	6148	6148	6148	6148	7101	7101	7718	7718	
NIPPLE BEARING	7084	7084	7084	7084	7084	7084	7084	6147	6147	6147	6147	6147	6147	6147	6147	6147	6672	7117	7117	7148	7148	

BEARING ASSEMBLY INCLUDES ALL PARTS WITHIN HASHED LINES.

TYPICAL FULL CIRCLE NELSON IMPACT SPRINKLER (MODEL F 43 SHOWN)

NOTES:

A	TRAJECTORY ANGLE		
	5° = 7162-005	7° = 7162-007	9° = 7162-009
	11° = 7162-011	12° = 7162-012	13° = 7162-013
			15° = 7162-015
B	BEARING ASSEMBLY PART NUMBER	1/2" BRASS 7194	1/2" PLASTIC 'D' 7894
	BEARING SPRING	7086	7086
	SLEEVE BEARING	7083	7755
			3/4" BRASS 'T' 8050
			7086
			8049
C	BEARING ASSEMBLY PART NUMBER	MALE 7198	FEMALE 7196
	SLEEVE BEARING	7158	7156