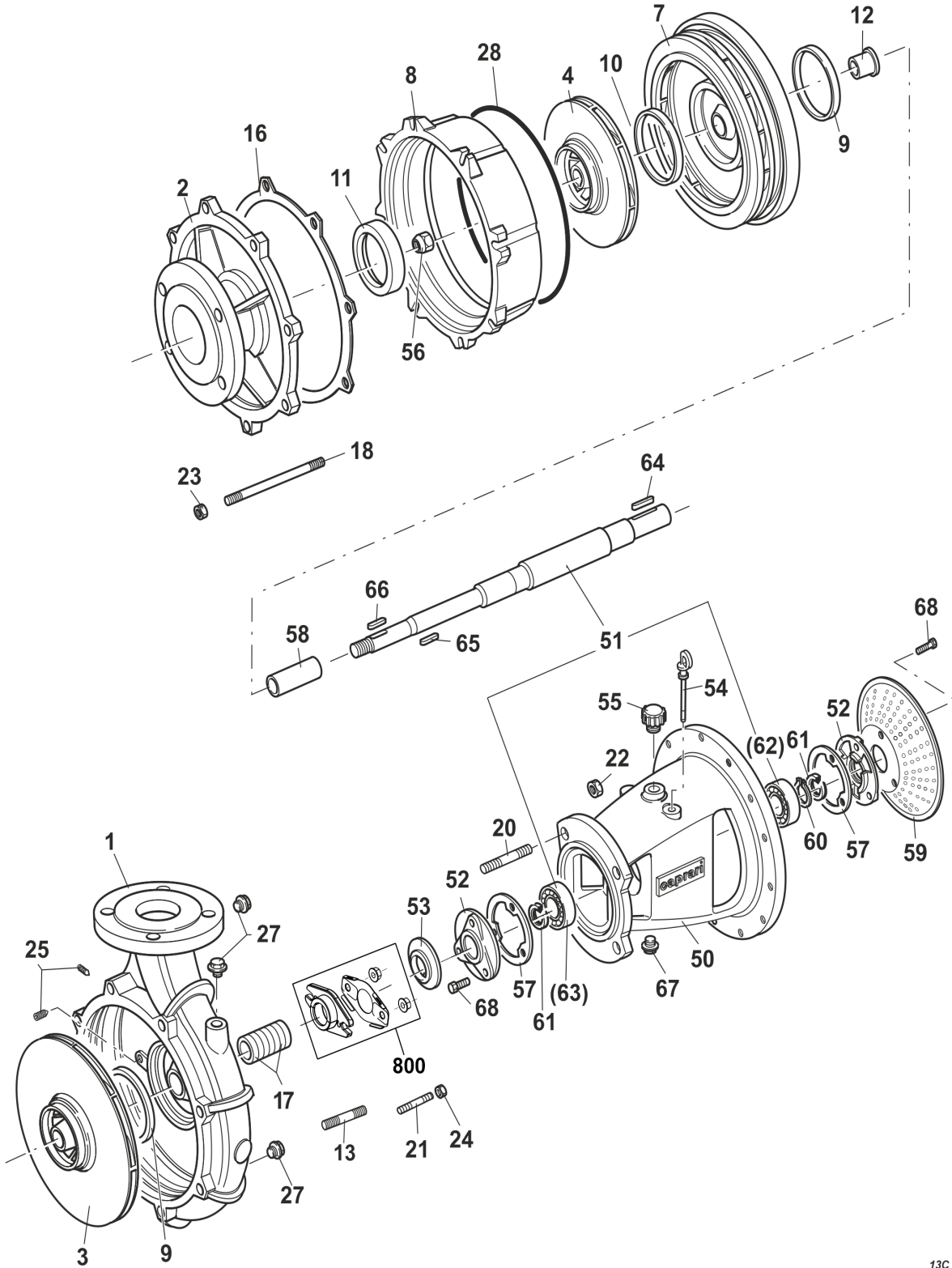


# CAPRARI S.p.A

41123 MODENA (ITALY) - VIA EMILIA OVEST, 900  
 Tel. +39 059897611 - Fax +39 059 897897  
 email: info@caprari.it - www.caprari.com



## 781000 - MEC-MG80/2A HORIZONTAL PUMP



13C

### COMPONENTS LIST

Pos.	Code	Serial N°	Description	Qty
1	400084	MEC80/330-1	DELIVERY CASING	1 PZ

2	400395	MEC80/330-3	SUCTION COVER	1 PZ
3	401076	MEC80MG/330-5A	IMPELLER D.330	1 PZ
4	401075	MEC80MG/260-5A	IMPELLER D.260	1 PZ
800	889110	P51-8	STUFFING BOX KIT	1 PZ
7	430389	MECM80-73	DIFFUSER	1 PZ
8	430392	MECM80-74	STAGE CASING	1 PZ
9	440538	MEC80/200-165A	WEAR RING	2 PZ
10	440538	MEC80/200-165A	WEAR RING	1 PZ
11	440539	MEC80/200-165B	WEAR RING	1 PZ
12	410721	MECM80-10	SPACER SLEEVE	1 PZ
16	330737	MEC125/330-141	GASKET FOR SUCTION COVER	2 PZ
17	330347	MEC80/260/B-33	PACKING 8X8 TIPO:GF7700	7 PZ
18	300566	PS01098	SPECIAL STUD M14X125 (TO DRAW)	10 PZ
20	300367	PN0722	STUD M16(6G/6G)X35 UNI5909/DIN938-5.8	4 PZ
21	300394	PN02007	STUD M10(6G/6G)X50 UNI5909/DIN938	2 PZ
22	310031	DN0724	NUT M16 UNI5588/DIN934-6S	4 PZ
23	310028	DN0734	NUT M14 UNI5588/DIN934-6S	10 PZ
24	310219	DN0037495	NUT M10 UNI EN20898/2/DIN6923-A2	2 PZ
25	300745	GC0735	DOWEL M10X12 UNI5923/DIN913-12.9	2 PZ
27	310714	TF01304	PLUG 3/8"GAS CONICAL (AFL N.290/292)	3 PZ
28	330466	OR01000	OR SEAL 329,79X3,53 OR41300 (AP)	1 PZ
195	461090	P51/1-240	PTO SHAFT GUARD	2 PZ
50	420305	MECMG80-32	LANTERN BRACKET	1 PZ
51	411272	MEC80MG-B/2-1007	PUMP SHAFT + CSN L.562	1 PZ
60	310554	AE0350	CIRCLIP 35 UNI7435 FOR SHAFT	1 PZ
62	350113	CSN0943	BEARING 3307/C3	1 PZ
63	350127	CSN02222	BEARING NJ307E	1 PZ
52	410672	MEC3A-9	BEARING COVER	2 PZ
53	310836	MEC80/260-18	DEFLECTOR	1 PZ
54	310828	MECMG-26	OIL DIPSTICK L=178	1 PZ
55	310743	MEC1A-28	OIL FILTER PLUG	1 PZ
56	330133	DS02310	NON-STANDARD NUT M24X2X21 UNI7474 (TO DRAW)	1 PZ
57	330825	MEC3A-146	GASKET FOR FLANGE	2 PZ
59	460364	MECMG80/100-240	PTO SHAFT GUARD	1 PZ
61	330259	AT01785	SEAL RING 35X52X7	2 PZ
64	310979	LCH02549	FEATHER KEY A10X8X70 UNI6604-C50 (TO DRAW)	1 PZ
65	310980	LCH02550	FEATHER KEY A8X7X35 (TOL.UNI6604)-C50 (TO DRAW)	1 PZ
66	310980	LCH02550	FEATHER KEY A8X7X35 (TOL.UNI6604)-C50 (TO DRAW)	1 PZ
67	310714	TF01304	PLUG 3/8"GAS CONICAL (AFL N.290/292)	1 PZ
68	300055	VTE0116	SCREW M8X20 UNI5739/DIN933-8.8	6 PZ
71	300206	VTT02591	SCREW M6X10 UNI5931/DIN912-8.8	2 PZ