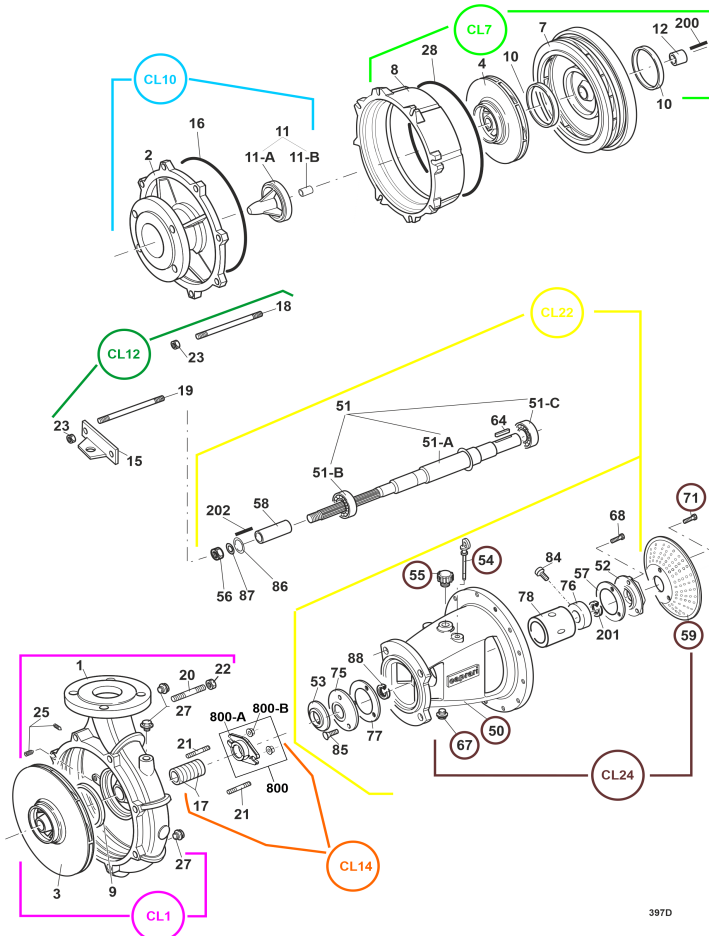


CAPRARI S.p.A

41123 MODENA (ITALY) - VIA EMILIA OVEST, 900
Tel. +39 059897611 - Fax +39 059 897897
email: info@caprari.it - www.caprari.com



781074 - MEC-MG100HT/2A POMPA ORIZZONTALE



397D

COMPONENTS LIST

Pos.	Code	Serial N°	Description	Qty
1	400103	MEC100/420-1	DELIVERY CASING	1 PZ
2	400400	MEC100/420-3	SUCTION COVER	1 PZ
3	401346	MECMG100HT/420-5A	IMPELLER D.420	1 PZ
4	401345	MECMG100HT/330-5A	IMPELLER D.330	1 PZ
7	430388	MECM100-73	DIFFUSER	1 PZ
8	430439	MECM125/1-74	STAGE CASING	1 PZ
9	440540	MEC100/420-165A	WEAR RING	1 PZ
10	440540	MEC100/420-165A	WEAR RING	2 PZ
11	420140	MECMG100HT-1029	WEAR RING WITH BEARING BUSH	1 PZ
11-B	411483	MECMG100HT/1-13	BEARING BUSH	1 PZ
12	411485	MECMG100HT/A-10	SPACER SLEEVE	1 PZ
15	450405	MECM100-207	STAND FEET	1 PZ
16	330471	OR0897	OR SEAL 430.66X3.53 OR41700(AP)	1 PZ
17	330346	MEC100/420/E-33	PACKING 10X10 TIPO:GL7000	6 PZ
18	300613	PS01096	SPECIAL STUD M16X164 (TO DRAW)	10 PZ
19	300680	PS01601	SPECIAL STUD M16X170 (TO DRAW)	2 PZ
20	300380	PN0721	STUD M20(6G/6G)X45 UNI5909/DIN938-5.8	4 PZ
21	300398	PN02011	STUD M12(6G/6G)X65 UNI5909/DIN938	2 PZ
22	310034	DN0723	NUT M20 UNI5588/DIN934-6S	4 PZ
23	310031	DN0724	NUT M16 UNI5588/DIN934-6S	12 PZ
25	300760	GC0726	DOWEL M14X16 UNI5923/DIN913-12.9	2 PZ
27	310714	TF01304	PLUG 3/8" GAS CONICAL (AFL N.290/292)	3 PZ
28	330471	OR0897	OR SEAL 430.66X3.53 OR41700(AP)	1 PZ
200	300700	GC01742	PIN 3.5X16 (TO DRAW)	1 PZ
	889129	KIT P65/1-8	STUFFING BOX KIT	1 PZ
50	420308	MECMG100HT/1-32	LANTERN BRACKET	1 PZ
51	889197	MEC100MGHT/2-1007	PUMP SHAFT + CSN L.738	1 PZ
51-B	350130	CSN42264	BEARING NU309ECJ	1 PZ
51-C	350116	CSN0852	BEARING 3310/C3 (N.12 BALLS)	1 PZ
52	411487	MECMG100HT/A-9	BEARING COVER	1 PZ
53	310837	MEC100/420-18	DEFLECTOR	1 PZ
54	310828	MECMG-26	OIL DIPSTICK L=178	1 PZ
55	310743	MEC1A-28	OIL FILTER PLUG	1 PZ
56	310052	DS0032246	NON-STANDART NUT M27X2X22 UNI5588-A2 (TO DRAW)	1 PZ
57	330828	MECMGHT-146	GASKET FOR FLANGE	1 PZ
58	411484	MECMG100HT/1-220	SHAFT SPACER SLEEVE	1 PZ
59	460365	MECMG100HT-240	PTO SHAFT GUARD	1 PZ
64	310981	LCH02551	FEATHER KEY A14X9X80 UNI6604-C50 (TO DRAW)	1 PZ

67	310714	TF01304	PLUG 3/8"GAS CONICAL (AFL N.290/292)	1 PZ
68	300208	VTT02508	SCREW M10X25 UNI5931/DIN912-8.8-F.ZN 3 II	3 PZ
71	300206	VTT02591	SCREW M6X10 UNI5931/DIN912-8.8	2 PZ
75	411479	MECMG100HT/2-9	BEARING COVER	1 PZ
76	310596	MECMG100HT-215	CIRCLIP	1 PZ
77	330827	MECMGH7/P-146	GASKET FOR FLANGE	1 PZ
78	400599	MECMG100HT/1-10	SPACER SLEEVE	1 PZ
84	300062	VTT01085	SCREW M8X30 UNI5931/DIN912-8.8	1 PZ
85	300076	VTT0032249	SCREW M10X25 UNI5933/DIN7991-8.8	3 PZ
86	310897	RLS0042345	WASHER 34.5X57X5 (TO DRAW)	1 PZ
87	310343	RLS0032252	WASHER 28.4X48.5X5.8 (NL27SP)	1 PZ
88	330251	AT0035670	SEAL RING 45X60X8 FORM AS (A+P)	1 PZ
201	330252	AT0042349	SEAL RING 50X65X8 FORM AS (A+P)	1 PZ
202	300700	GC01742	PIN 3.5X16 (TO DRAW)	1 PZ