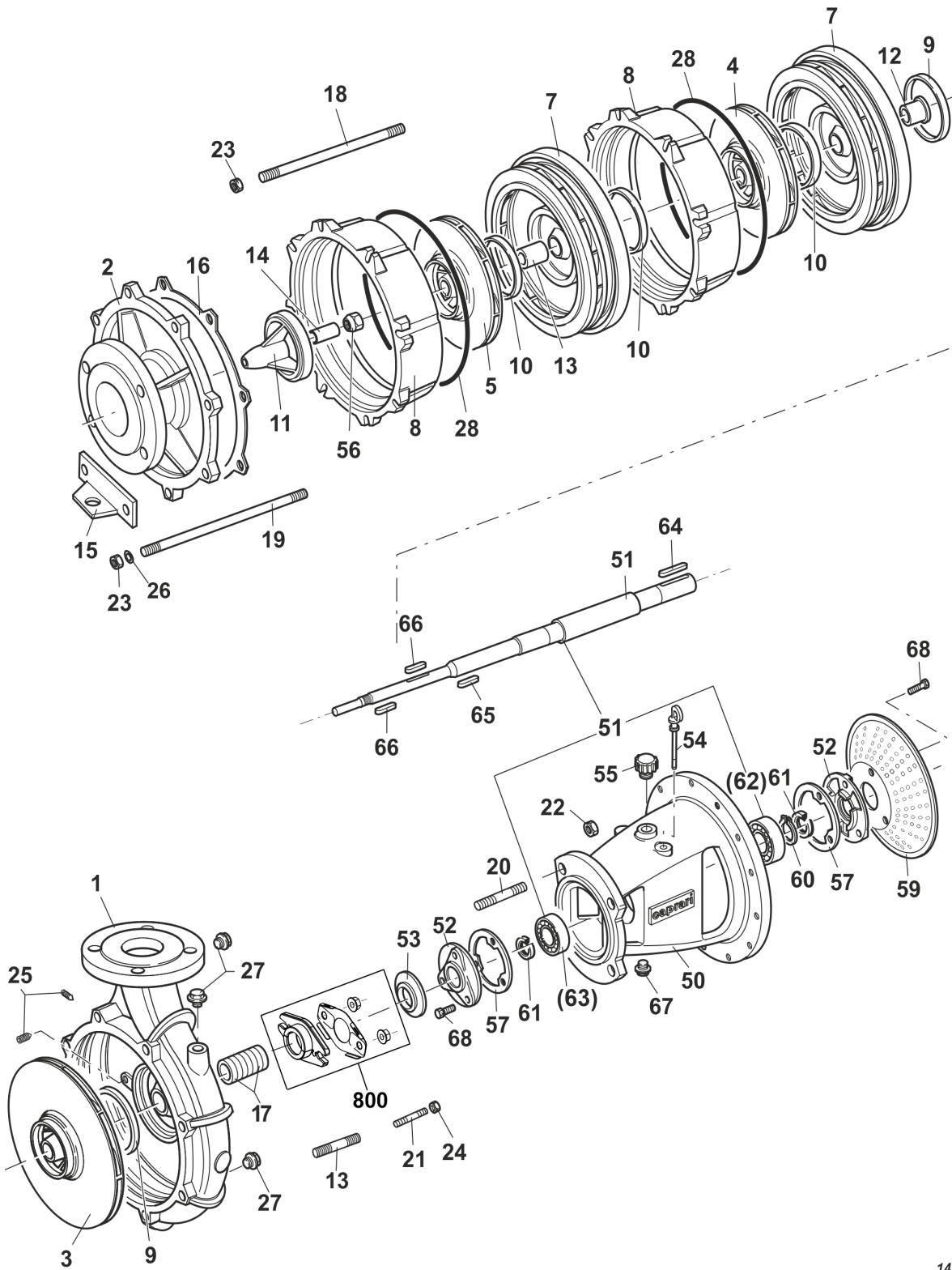


781035 - MEC-MG100/3A HORIZONTAL PUMP



14E

COMPONENTS LIST

Pos.	Code	Serial N°	Description	Qty
1	400103	MEC100/420-1	DELIVERY CASING	1 PZ
2	400400	MEC100/420-3	SUCTION COVER	1 PZ
3	401089	MEC100MG/420-5A	IMPELLER D.420	1 PZ
4	401090	MEC100MG/331-5A	IMPELLER D.330	1 PZ
5	401090	MEC100MG/331-5A	IMPELLER D.330	1 PZ
7	430388	MECM100-73	DIFFUSER	2 PZ
8	430391	MECM125-74	STAGE CASING	2 PZ
9	440540	MEC100/420-165A	WEAR RING	3 PZ

10	440540	MEC100/420-165A	WEAR RING	2 PZ
11	420158	MEC100/420-1029	WEAR RING WITH BEARING BUSH	1 PZ
14	410810	MEC125/420-13	BEARING BUSH	1 PZ
12	410717	MECM100-10	SPACER SLEEVE	1 PZ
13	410717	MECM100-10	SPACER SLEEVE	1 PZ
15	450405	MECM100-207	STAND FEET	1 PZ
16	330471	OR0897	OR SEAL 430,66X3,53 OR41700(AP)	1 PZ
17	330346	MEC100/420-33	PACKING 10X10	7 PZ
18	300608	PS01097	SPECIAL STUD M16X295 (TO DRAW)	10 PZ
19	300681	PS01599	SPECIAL STUD M16X300 (TO DRAW)	2 PZ
20	300380	PN0721	STUD M20(6G/6G)X45 UNI5909/DIN938-5.8	4 PZ
21	300398	PN02011	STUD M12(6G/6G)X65 UNI5909/DIN938	2 PZ
22	310034	DN0723	NUT M20 UNI5588/DIN934-6S	4 PZ
23	310031	DN0724	NUT M16 UNI5588/DIN934-6S	12 PZ
25	300760	GC0726	DOWEL M14X16 UNI5923/DIN913-12.9	2 PZ
27	310714	TF01304	PLUG 3/8"GAS CONICAL (AFL N.290/292)	3 PZ
28	330471	OR0897	OR SEAL 430,66X3,53 OR41700(AP)	2 PZ
	889129	KIT P65/1-8	STUFFING BOX KIT	1 PZ
50	420306	MECMG100-32	LANTERN BRACKET	1 PZ
51	411157	MEC100MG/3-1007	PUMP SHAFT + CSN L.879	1 PZ
60	310524	AE0390	CIRCLIP 45 UNI7435 FOR SHAFT	1 PZ
62	350115	CSN0851	BEARING 3309/C3 (N.12 BALLS)	1 PZ
63	350128	CSN02220	BEARING NJ309E	1 PZ
52	410673	MEC4A-9	BEARING COVER	2 PZ
53	310837	MEC100/420-18	DEFLECTOR	1 PZ
54	310828	MECMG-26	OIL DIPSTICK L=178	1 PZ
55	310743	MEC1A-28	OIL FILTER PLUG	1 PZ
56	330134	DS02311	NON-STANDARD NUT M27X2X22.5 UNI7474 (TO DRAW)	1 PZ
57	330826	MEC4A-146	GASKET FOR FLANGE	2 PZ
58	410863	MEC4AU-220	SHAFT SPACER SLEEVE	1 PZ
59	460364	MECMG80/100-240	PTO SHAFT GUARD	1 PZ
61	330276	AT0213	SEAL RING 45X65X10	2 PZ
64	310981	LCH02551	FEATHER KEY A14X9X80 UNI6604-C50 (TO DRAW)	1 PZ
65	310982	LCH02552	FEATHER KEY A10X8X40 UNI6604-C50 (TO DRAW)	1 PZ
66	310982	LCH02552	FEATHER KEY A10X8X40 UNI6604-C50 (TO DRAW)	2 PZ
67	310714	TF01304	PLUG 3/8"GAS CONICAL (AFL N.290/292)	1 PZ
68	300080	VTE0119	SCREW M10X25 UNI5739/DIN933-8.8	6 PZ
71	300206	VTT02591	SCREW M6X10 UNI5931/DIN912-8.8	2 PZ