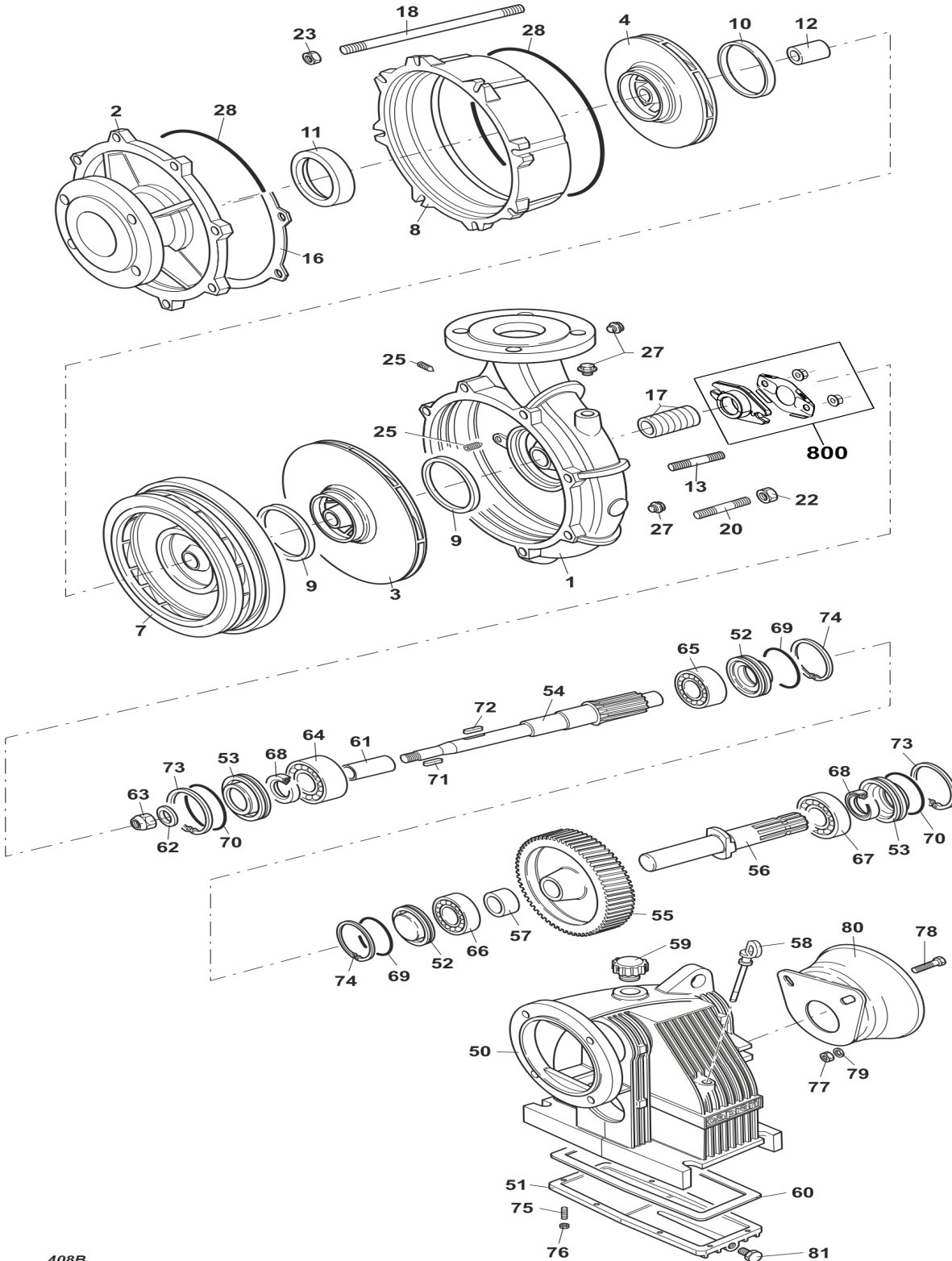


# CAPRARI SpA

41123 MODENA (ITALY) - VIA EMILIA OVEST, 900  
 Tel. +39 059897611 - Fax +39 059 897897  
 email: info@caprari.it - www.caprari.com



## 770306 - MEC-DMR50-2 / 2A1: 5.37 PTO PUMP



408B

### COMPONENTS LIST

| Pos. | Coded  | Serial N °    | Description     | Qty  |
|------|--------|---------------|-----------------|------|
| 1    | 400077 | MEC50 / 260-1 | DELIVERY CASING | 1 PZ |

|     |        |                        |   |      |
|-----|--------|------------------------|---|------|
| 2   | 400388 | MEC50 / 260-3          | SUCTION COVER                                 | 1 PZ |
| 3   | 400805 | MEC50 / 260-5A         | IMPELLER D.260                                | 1 PZ |
| 4   | 400804 | MEC50 / 200-5A         | IMPELLER D.205                                | 1 PZ |
| 6   | 411319 | P39-8                  | STUFFING BOX                                  | 2 PZ |
| 7   | 430383 | MECM50-73              | DISTRIBUTE                                    | 1 PZ |
| 8   | 430393 | MECM65-74              | CASING STAGE                                  | 1 PZ |
| 9   | 440534 | MEC50 / 260-165A       | WEAR RING                                     | 2 PZ |
| 10  | 440534 | MEC50 / 260-165A       | WEAR RING                                     | 1 PZ |
| 11  | 440535 | MEC50 / 260-165B       | WEAR RING                                     | 1 PZ |
| 12  | 410715 | MECM50 / 1-10          | SPACER SLEEVE                                 | 1 PZ |
| 16  | 330722 | MEC50 / 260-141        | GASKET FOR SUCTION COVER                      | 2 PZ |
| 17  | 330344 | MEC50 / 260-33         | PACKING 7X7                                   | 7 PZ |
| 18  | 300591 | PS01094                | SPECIAL STUD M12X105 (TO DRAW)                | 8 PZ |
| 20  | 300361 | PN0733                 | STUD M14 (6G / 6G) X30 UNI5909 / DIN938-5.8   | 4 PZ |
| 21  | 300394 | PN02007                | STUD M10 (6G / 6G) X50 UNI5909 / DIN938       | 2 PZ |
| 22  | 310028 | DN0734                 | NUT M14 UNI5588 / DIN934-6S                   | 4 PZ |
| 23  | 310025 | DN0676                 | NUT M12 UNI5588 / DIN934-6S                   | 8 PZ |
| 24  | 310219 | DN0037495              | NUT M10 UNI EN20898 / 2 / DIN6923-A2          | 2 PZ |
| 25  | 300745 | GC0735                 | DOWEL M10X12 UNI5923 / DIN913-12.9            | 2 PZ |
| 27  | 310714 | TF01304                | PLUG 3/8 "GAS CONICAL (AFL N.290 / 292)       | 3 PZ |
| 28  | 330463 | OR01093                | OR SEAL 266.29X3.53 OR41050 (AP)              | 1 PZ |
| 195 | 461089 | P39 / 1-240            | PTO SHAFT GUARD                               | 2 PZ |
| 50  | 420510 | MEC2D-34               | GEAR CASING                                   | 1 PZ |
| 51  | 420540 | MEC2D-35               | GEAR CASING COVER                             | 1 PZ |
| 52  | 430721 | MEC2D-83A              | RADIAL SHAFT SEAL RING COVER                  | 2 PZ |
| 53  | 430722 | MEC2D-83B              | RADIAL SHAFT SEAL RING COVER                  | 2 PZ |
| 54  | 420769 | MEC2DMR / 2-39 1: 5.37 | DRIVEN GEAR WHELL                             | 1 PZ |
| 55  | 420568 | MEC2D-36 R.1: 5.37     | DRIVING GEAR WHELL                            | 1 PZ |
| 56  | 420784 | MEC2D-40               | SPLINED SHAFT (PTO)                           | 1 PZ |
| 57  | 410754 | MEC2D-11               | SPACER SLEEVE                                 | 1 PZ |
| 58  | 310819 | MEC2D-26               | OIL DIPSTICK L = 140                          | 1 PZ |
| 59  | 310743 | MEC1A-28               | OIL FILTER PLUG                               | 1 PZ |
| 60  | 330835 | MEC2D-149              | GASKET FOR GEAR CASING                        | 1 PZ |
| 61  | 410861 | MEC2AU-220             | SHAFT SPACER SLEEVE                           | 1 PZ |
| 62  | 310835 | MEC50 / 260-18         | DEFLECTOR                                     | 1 PZ |
| 63  | 330131 | DS02308                | NON-STANDARD NUT M14X1.5X14 UNI7474 (TO DRAW) | 1 PZ |
| 64  | 350113 | CSN0943                | BEARING 3307 / C3                             | 1 PZ |
| 65  | 350112 | CSN01134               | BEARING 3306 / C3                             | 1 PZ |
| 66  | 350023 | CSN0728                | BEARING 6207                                  | 1 PZ |
| 67  | 350045 | CSN0172                | BEARING 6307 / C3                             | 1 PZ |
| 68  | 330259 | AT01785                | SEAL RING 35X52X7                             | 2 PZ |
| 69  | 330426 | OR0729                 | OR SEAL 65.09X3.53 OR168 (AP)                 | 2 PZ |
| 70  | 330428 | OR0730                 | OR SEAL 73.03X3.53 OR176 (AP)                 | 2 PZ |
| 71  | 310421 | LCH0741                | FEATHER KEY A5X5X25 UNI6604-C50               | 1 PZ |
| 72  | 310427 | LCH0732                | FEATHER KEY A6X6X30 (TOL.UNI6604) -C50        | 1 PZ |
| 73  | 310574 | AE0212                 | CIRCLIP 80 UNI7437 FOR HOLES                  | 2 PZ |
| 74  | 310572 | AE0351                 | CIRCLIP 72 UNI7437 FOR HOLES                  | 2 PZ |
| 75  | 300310 | PN0681                 | STUD M6 (6G / 6G) X14 UNI5909 / DIN938-5.8    | 8 PZ |
| 76  | 310012 | DN0731                 | NUT M6 UNI5588 / DIN934-6S                    | 8 PZ |
| 77  | 310022 | DN01067                | NUT M10 UNI5588 / DIN934-6S-F.ZN 3 II         | 2 PZ |
| 78  | 300084 | VTE0331                | SCREW M10X40 UNI5739 / DIN933-8.8-F.ZN 3 II   | 2 PZ |
| 79  | 310316 | RLS060                 | WASHER 11X23X2-F.ZN 3 II                      | 2 PZ |
| 80  | 460301 | MEC1D-240              | PTO SHAFT GUARD                               | 1 PZ |
| 81  | 310722 | TF01399                | 1/4 "GAS PLUG (TO DRAW)                       | 1 PZ |