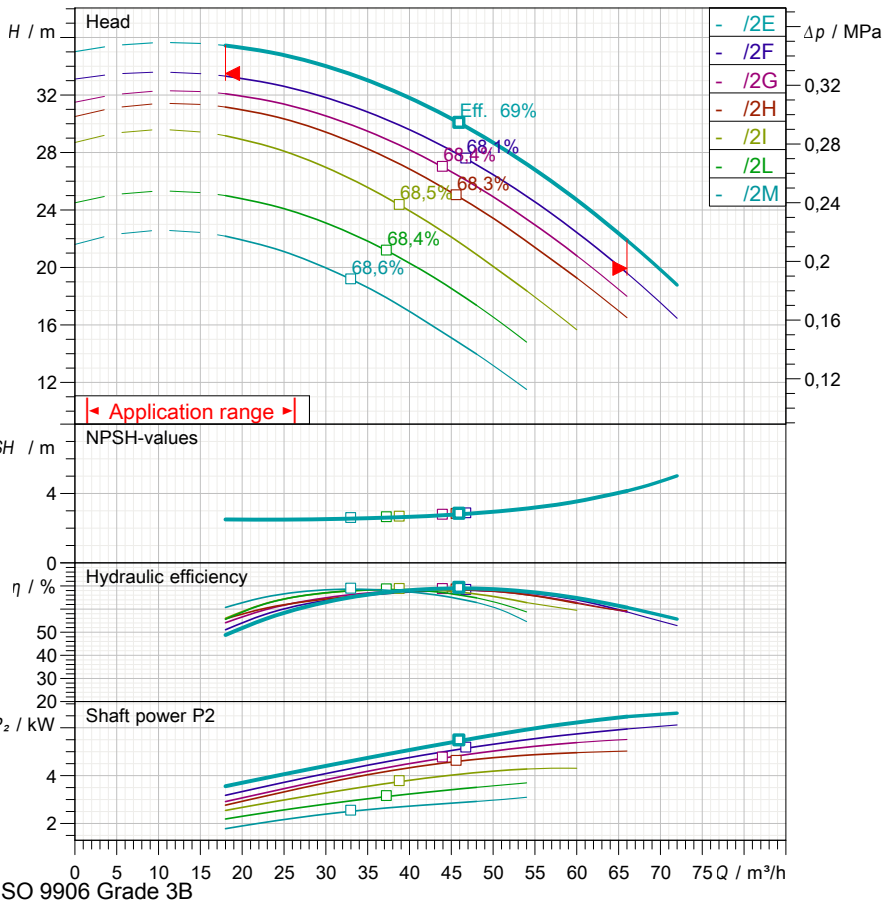


Technical data

S2K80/2E



Operating data specification

Capacity	
Head	
Fluid	Pure water
Type of installation	<Single head pump>

Pump operating data

Design	S2K80/2E
Impeller Ø	
Speed	1450 1/min
Flow	
Head	
Shaft power P2	
Efficiency	
Head (Q=0)	35 m
Non return valve loss	

Electric motor technical data

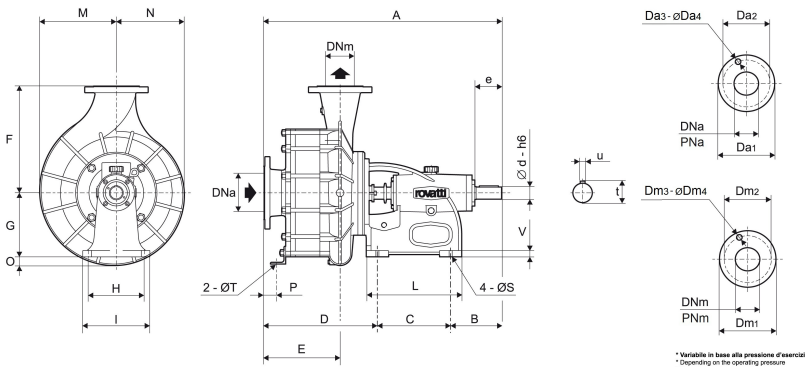
Design	
Rated power	
Frequency	
Number of poles	
Nominal speed	
Rated voltage	
Starting mode	
Rated current	
Insulation class	
Degree of protection	

Use limits

Max N° startings/hour	
Max. runing time with Q=0	2 min
Max. solids contents	40 g/m³
Max. pumped liquid temperature	90 °C
Maximum density	998 kg/m³
Maximum viscosity	1 mm²/s

Materials

Suction bowl	Cast iron
Wear ring	Cast iron
Impeller	Cast iron
Pump body	Cast iron
Stuffing-box flange	Brass
Stuffing-box packing	Synthetic fibers
Bearing support	Cast iron
Tie rod	Steel
Diffuser shell	Cast iron
Diffuser	Cast iron
Shaft protection bushing	Steel
Shaft	Steel



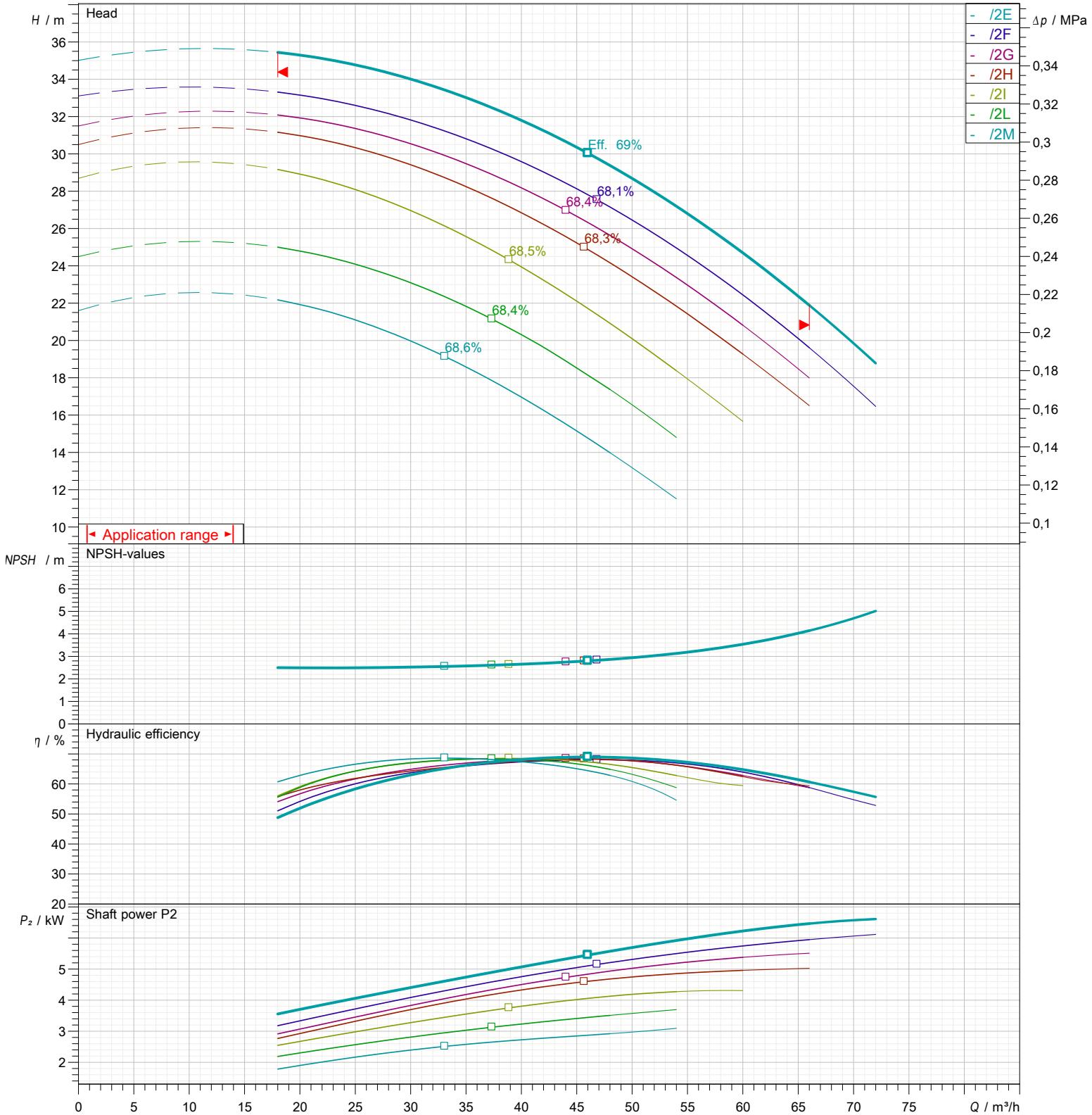
* Variabile in base alla pressione d'esercizio
 * Depending on the operating pressure
 * Selon la pression de service
 * Abhängig von dem Druck
 * Variable con la presión

Dimensions in				mm				Total weight				71 kg			
DNa	80	G	160	S	16	Da2	160	Da3	8						
DNm	65	H	145	T	\	PNe	10								
A	582	I	175	V	17	Dm1	185								
B	119	L	235	d	28	Dm2	145								
C	175	M	191	e	60	PNr	16								
D	288	N	174	u	8	Da4	19								
E	195	O	21	t	31	Dm4	4								
F	260	P	\	Da1	200	Dm4	19								

Performance curves

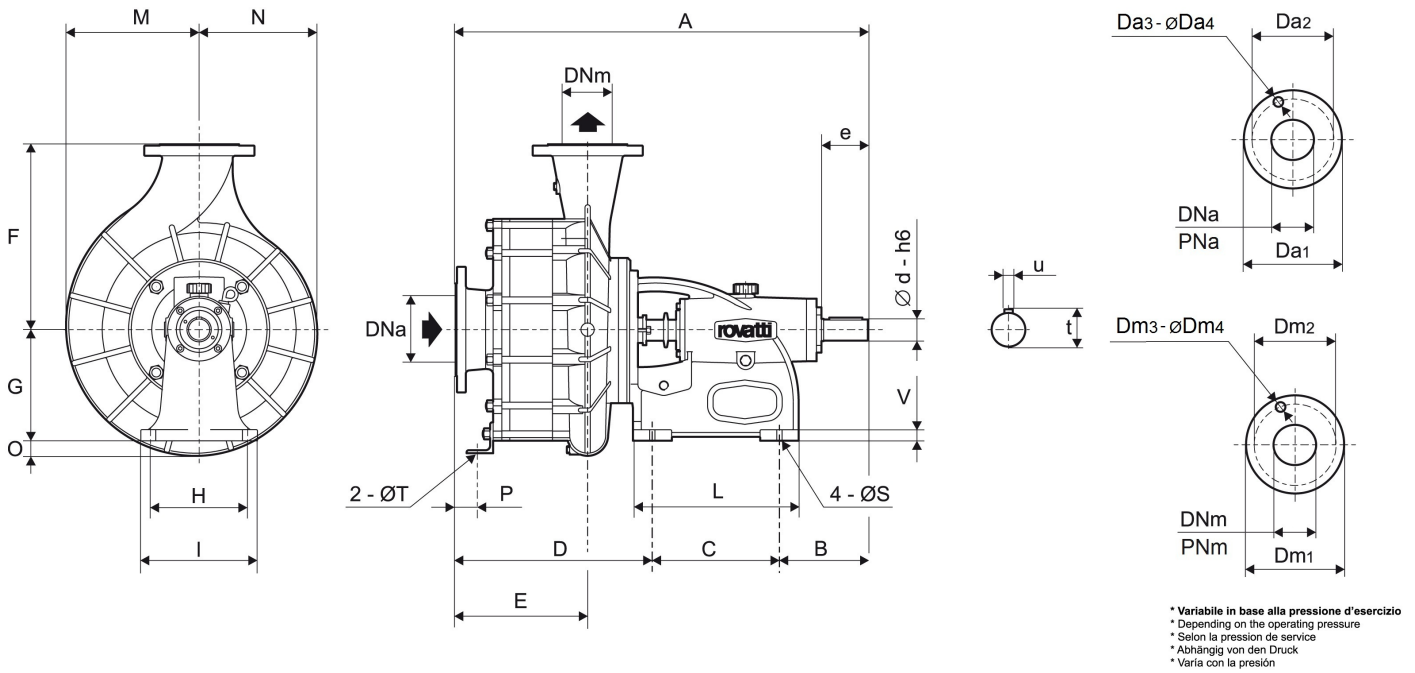
S2K80/2E

Performances				
Speed		1450 1/min	Density	998 kg/m ³
Flow	Min.	18 m ³ /h	Viscosity	1 mm ² /s
	Max.	66 m ³ /h	Temperature	20 °C
Efficiency	Max.	46 m ³ /h	Tolerances	ISO 9906 Grade 3B



Types of installation

S2K80/2E



* Variabile in base alla pressione d'esercizio
 * Depending on the operating pressure
 * Selon la pression de service
 * Abhängig von den Druck
 * Varía con la presión

Dimensions in	mm	Total weight	71 kg
DNa	80	u	8
DNm	65	t	31
A	582	Da1	200
B	119	Da2	160
C	175	PNa	10
D	288	Dm1	185
E	195	Dm2	145
F	260	PNr	16
G	160	Da4	19
H	145	Dm4	4
I	175	Dm4	19
L	235	Da3	8
M	191		
N	174		
O	21		
P	\		
S	16		
T	\		
V	17		
d	28		
e	60		