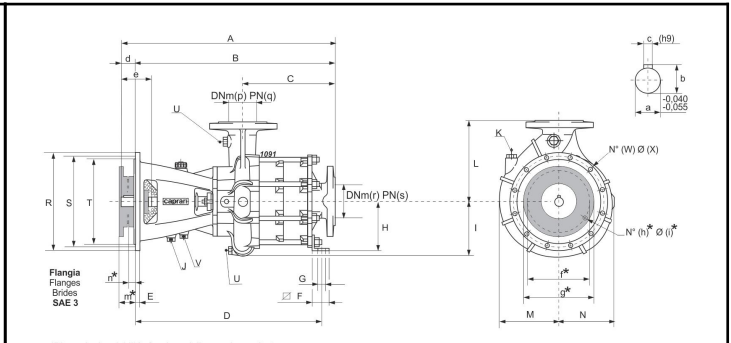
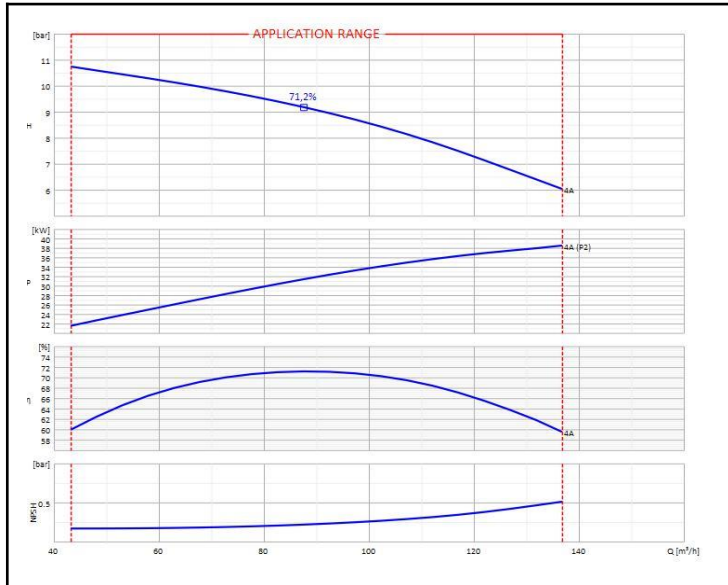


| | | | |
|------------------|--|----------------------|---------------|
| Customer: | | Ref.: | |
| Item | Quantity | Required flow | n.d. |
| Type | CENTRIFUGAL PUMP WITH HORIZONTAL SHAFT | Model | MEC-MG80-4/4A |



Flangia Flanges Bodies SAE 3

*Dimensioni variabili in funzione della grandezza giunto
*Variable dimensions according to coupling's size

| Dimensions [mm] | | | | | | | |
|-----------------|-----|---|--------|---|--------|---|-----|
| A | 867 | J | G 3/8" | V | G 1/2" | q | 16 |
| B | 847 | K | G 3/8" | W | 12 | r | 100 |
| C | 438 | L | 325 | X | 11,5 | s | 16 |
| D | 782 | M | 244 | a | 35 | | |
| E | 20 | N | 222 | b | 38 | | |
| F | 45 | R | 451 | c | 10 | | |
| G | 22 | S | 428,6 | d | 20 | | |
| H | 200 | T | 409,6 | e | 86 | | |
| I | 223 | U | G 3/8" | p | 80 | | |

| OPERATING DATA- ISO 9906:2012 3B - | | | | | CONSTRUCTION CHARACTERISTICS | | | |
|------------------------------------|---------|--------|-------|------------|------------------------------|-----|------------|----|
| Q [m³/h] | H [bar] | P [kW] | η [%] | NPSH [bar] | UNI delivery flange DN | 80 | PN | 16 |
| | | | | | UNI suction flange DN | 100 | PN | 16 |
| | | | | | Total weight | 215 | | Kg |
| | | | | | No. Stages | | 4 | |
| | | | | | Pump seal | | Packing | |
| | | | | | Type of installation | | Horizontal | |

| OPERATING LIMITS | | | OPERATING CHARACTERISTICS | | |
|---|-------------------------|--------|---------------------------|-----------|----------|
| Pumped liquid | Water | | Service flow rate | n.d. | n.d. |
| Max. temperature of pumped liquid | n.d. | | Service head | n.d. | n.d. |
| Maximum density | 1 | kg/dm³ | Qmin | 43,2 | 136,8 |
| Maximum viscosity | 1 | mm²/s | H (Q=0) | 11,08 | 10,74 |
| Max. solid content | 20 | g/m³ | Hmax (Qmin) | | |
| Max. no. starts/hr | n.d. | | P2 Duty Point | n.d. | 38,5 |
| | | | P2max | | |
| | | | Pump hydraulic efficiency | n.d. | n.d. |
| | | | Rotation speed | 1450 | 1/min |
| Maximum operating time with closed port | 10min (2400rpm) [40 °C] | | Sense of rotation (*) | n.d. | |
| | | | Number of pumps installed | Operating | Stand-by |
| | | | | 1 | 0 |

| PUMP MATERIALS | |
|-----------------|----------------------|
| Delivery casing | Cast iron |
| Suction casing | Cast iron |
| Impeller | Cast iron |
| Diffuser | Cast iron |
| Casing | Cast iron |
| Stuffing box | Cast iron |
| Wear ring | Cast iron |
| Bearing bush | Bronze |
| Packing | Ribbon cable in GORE |
| Lantern bracket | Cast iron |
| Pump shaft | Stainless steel |
| Bearing flange | Cast iron |
| Shaft sleeve | |
| Shaft guard | Steel |
| Feather key | Steel |
| Tie rod | Steel |

| | |
|---------------|-----------------------------------|
| Notes: | (*) View from motor coupling side |
| OFFER No. | Pos. |
| | Date 17/05/2019 |