

# CAPRARI S.p.A

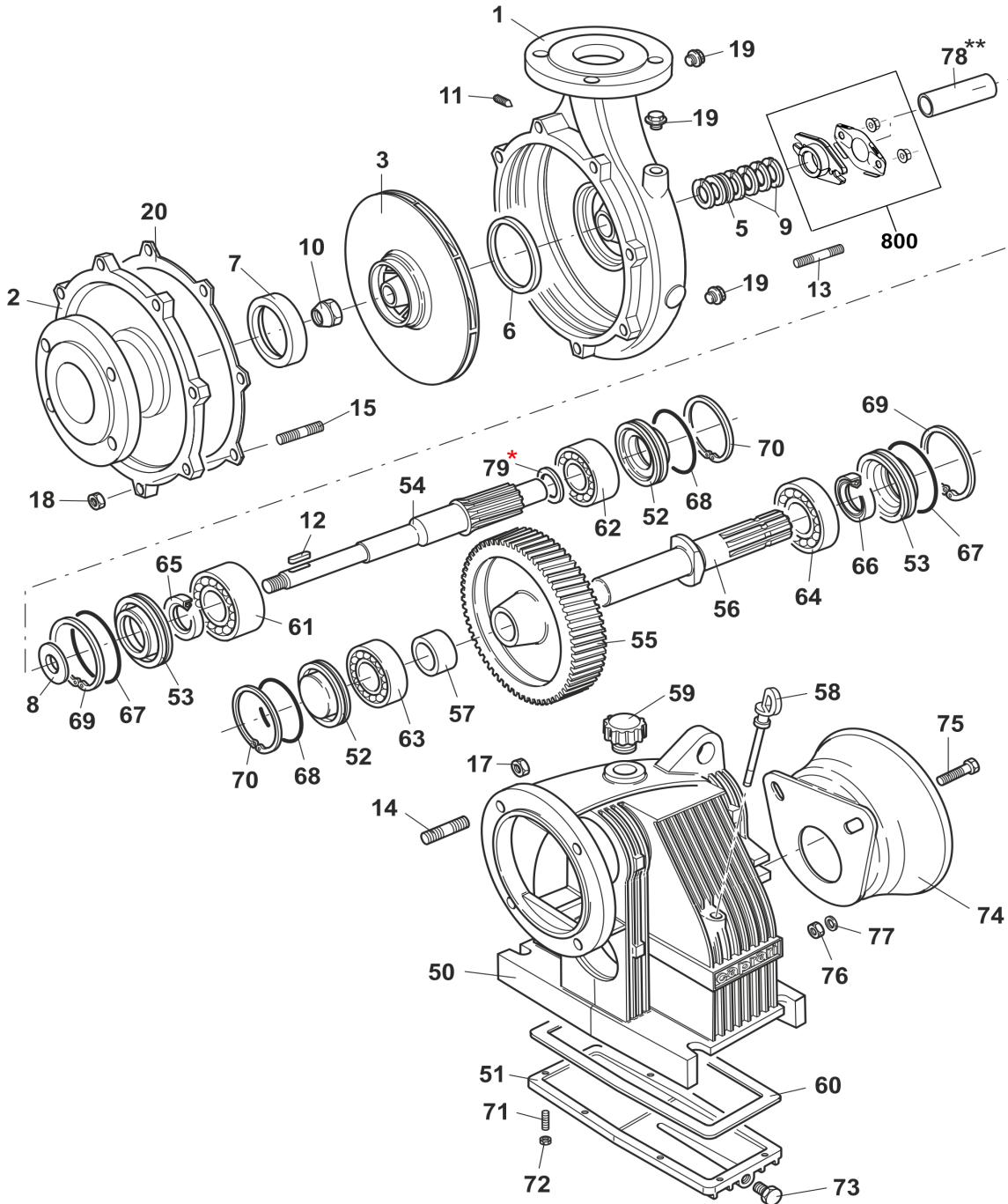
41123 MODENA (ITALY) - VIA EMILIA OVEST, 900  
 Tel. +39 059897611 - Fax +39 059 897897  
 email: info@caprari.it - www.caprari.com



## 770105 - MEC-D2/80A R.1:6,28 P.T.O. PUMP

**\*Particolare presente solo con moltiplicatore MEC-2D(Z) R.1: 6,77 - MEC-2D(Z) R.1:7,42**  
 Item present only with step up gear box MEC-2D(Z) R.1: 6,77 - MEC-2D(Z) R.1:7,42

**\*\* presente solo con moltiplicatore MEC-2D (Z) R.1:3,73**  
 Item present only with step up gear box MEC-2D (z) R.1:3,73



2C

### COMPONENTS LIST

Pos.	Code	Serial N°	Description	Qty
1	400082	MEC80/200-1	DELIVERY CASING	1 PZ

2	400393	MEC80/200-3	SUCTION COVER	1 PZ
3	400810	MEC80/200-5A	IMPELLER D.205	1 PZ
4	411319	P39-8	STUFFING BOX	2 PZ
5	330153	MEC50/260-43	LANTER RING	1 PZ
6	440538	MEC80/200-165A	WEAR RING	1 PZ
7	440539	MEC80/200-165B	WEAR RING	1 PZ
8	310835	MEC50/260-18	DEFLECTOR	1 PZ
9	330344	MEC50/260-33	PACKING 7X7	5 PZ
10	330132	DS02309	NON-STANDARD NUT M18X1.5X16 UNI7474 (TO DRAW)	1 PZ
11	300745	GC0735	DOWEL M10X12 UNI5923/DIN913-12.9	1 PZ
12	310427	LCH0732	FEATHER KEY A6X6X30 (TOL.UNI6604)-C50	1 PZ
13	300394	PN02007	STUD M10(6G/6G)X50 UNI5909/DIN938	2 PZ
14	300361	PN0733	STUD M14(6G/6G)X30 UNI5909/DIN938-5.8	4 PZ
15	300341	PN0684	STUD M12(6G/6G)X25 UNI5909/DIN938-5.8	8 PZ
16	310219	DN0037495	NUT M10 UNI EN20898/2/DIN6923-A2	2 PZ
17	310028	DN0734	NUT M14 UNI5588/DIN934-6S	4 PZ
18	310025	DN0676	NUT M12 UNI5588/DIN934-6S	8 PZ
19	310714	TF01304	PLUG 3/8"GAS CONICAL (AFL N.290/292)	3 PZ
20	330734	MEC65/200-141	GASKET FOR SUCTION COVER	1 PZ
195	461089	P39/1-240	PTO SHAFT GUARD	2 PZ
50	420510	MEC2D-34	GEAR CASING	1 PZ
51	420540	MEC2D-35	GEAR CASING COVER	1 PZ
52	430721	MEC2D-83A	RADIAL SHAFT SEAL RING COVER	2 PZ
53	430722	MEC2D-83B	RADIAL SHAFT SEAL RING COVER	2 PZ
54	420682	MEC2DZ-39 R.1:6,28	DRIVEN GEAR WHELL	1 PZ
55	420569	MEC2D-36 R.1:6,28	DRIVING GEAR WHELL	1 PZ
56	420784	MEC2D-40	SPLINED SHAFT (PTO)	1 PZ
57	410754	MEC2D-11	SPACER SLEEVE	1 PZ
58	310819	MEC2D-26	OIL DIPSTICK L=140	1 PZ
59	310743	MEC1A-28	OIL FILTER PLUG	1 PZ
60	330835	MEC2D-149	GASKET FOR GEAR CASING	1 PZ
61	350113	CSN0943	BEARING 3307/C3	1 PZ
62	350112	CSN01134	BEARING 3306/C3	1 PZ
63	350023	CSN0728	BEARING 6207	1 PZ
64	350045	CSN0172	BEARING 6307/C3	1 PZ
65	330259	AT01785	SEAL RING 35X52X7	1 PZ
66	330259	AT01785	SEAL RING 35X52X7	1 PZ
67	330428	OR0730	OR SEAL 73,03X3,53 OR176(AP)	2 PZ
68	330426	OR0729	OR SEAL 65,09X3,53 OR168 (AP)	2 PZ
69	310574	AE0212	CIRCLIP 80 UNI7437 FOR HOLES	2 PZ
70	310572	AE0351	CIRCLIP 72 UNI7437 FOR HOLES	2 PZ
71	300310	PN0681	STUD M6(6G/6G)X14 UNI5909/DIN938-5.8	8 PZ
72	310012	DN0731	NUT M6 UNI5588/DIN934-6S	8 PZ
73	310722	TF01399	PLUG 1/4"GAS (TO DRAW)	1 PZ
74	460301	MEC1D-240	PTO SHAFT GUARD	1 PZ
75	300084	VTE0331	SCREW M10X40 UNI5739/DIN933-8.8-F.ZN 3 II	2 PZ
76	310022	DN01067	NUT M10 UNI5588/DIN934-6S-F.ZN 3 II	2 PZ
77	310316	RLS060	WASHER 11X23X2-F.ZN 3 II	2 PZ