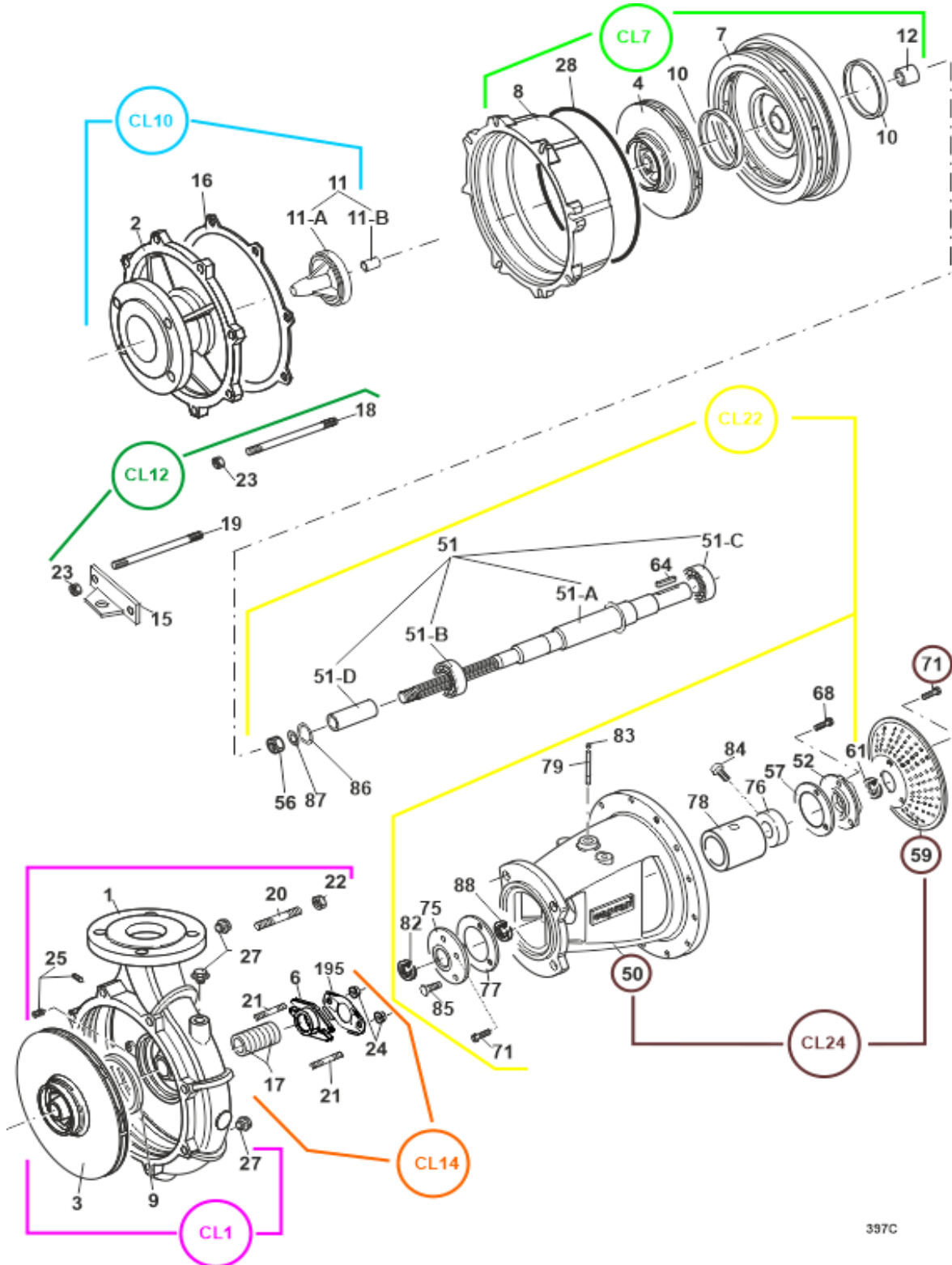


**781073 - MEC-MG125HT/2A POMPA ORIZZONTALE**



397C

**COMPONENTS LIST**

Pos.	Code	Serial N°	Description	Qty
1	400107	MEC125/420-1	DELIVERY CASING	1 PZ

3	401348	MECMG125HT/420-5A	IMPELLER D.420	1 PZ
9	440542	MEC125/420-165A	WEAR RING	1 PZ
20	300380	PN0721	STUD M20(6G/6G)X45 UNI5909/DIN938-5.8	4 PZ
22	310034	DN0723	NUT M20 UNI5588/DIN934-6S	4 PZ
25	300760	GC0726	DOWEL M14X16 UNI5923/DIN913-12.9	2 PZ
27	310714	TF01304	PLUG 3/8"GAS CONICAL (AFL N.290/292)	3 PZ
2	400404	MEC125/420-3	SUCTION COVER	1 PZ
11	420141	MECMG125HT-1029	WEAR RING WITH BEARING	1 PZ
11-B	530331	MECMG100/125X1-68	PUMP SHAFT BEARING BUSH	1 PZ
16	330738	MEC125/420-141	GASKET FOR SUCTION COVER	2 PZ
15	450405	MECM100-207	STAND FEET	1 PZ
18	300613	PS01096	SPECIAL STUD M16X164 (TO DRAW)	10 PZ
19	300680	PS01601	SPECIAL STUD M16X170 (TO DRAW)	2 PZ
23	310031	DN0724	NUT M16 UNI5588/DIN934-6S	12 PZ
6	411313	P65-8	STUFFING BOX	2 PZ
17	330346	MEC100/420-33	PACKING 10X10	7 PZ
21	300398	PN02011	STUD M12(6G/6G)X65 UNI5909/DIN938	2 PZ
24	310220	DN0037496	EXAGONAL FLANGED NUT M12 WITH SERRATION UNI EN20898/2/DIN6923-A2	2 PZ
195	461017	P65/1-240	PTO SHAFT GUARD	2 PZ
4	401347	MECMG125HT/330-5A	IMPELLER D.330	1 PZ
7	430385	MECM125-73	DIFFUSER	1 PZ
8	430391	MECM125-74	STAGE CASING	1 PZ
10	440542	MEC125/420-165A	WEAR RING	2 PZ
12	411223	MECMG125HT/P-10	SPACER SLEEVE	1 PZ
28	330471	OR0897	OR SEAL 430,66X3,53 OR41700(AP)	1 PZ
51	411222	MEC100MGHT/2-1007	PUMP SHAFT + CSN L.738	1 PZ
51-B	350128	CSN02220	BEARING NJ309E	1 PZ
51-C	350116	CSN0852	BEARING 3310/C3 (N.12 BALLS)	1 PZ
51-D	411219	MECMG100HT-220	SHAFT SPACER SLEEVE	1 PZ
52	411215	MECMG100HT-9	BEARING COVER	1 PZ
53	310837	MEC100/420-18	DEFLECTOR	1 PZ
56	310052	DS0032246	NON-STANDART NUT M27X2X22 UNI5588-A2 (TO DRAW)	1 PZ
57	330828	MECMGHT-146	GASKET FOR FLANGE	2 PZ
61	330238	AT02141	SEAL RING V 50 S (A+P)	1 PZ
64	310981	LCH02551	FEATHER KEY A14X9X80 UNI6604-C50 (TO DRAW)	1 PZ
68	300208	VTT02508	SCREW M10X25 UNI5931/DIN912-8.8-F.ZN 3 II	3 PZ
75	411216	MECMG100HT/P-9	BEARING COVER	1 PZ
76	310596	MECMG100HT-215	CIRCLIP	1 PZ
77	330827	MECMGHT/P-146	GASKET FOR FLANGE	1 PZ
78	411218	MECMG100HT-10	SPACER SLEEVE	1 PZ
79	440239	MECMG100HT-132	LUBRICATING PIPE FOR BEARING	1 PZ
82	330244	AT02233	SEAL RING V 45 S (A+P)	1 PZ
84	300062	VTT01085	SCREW M8X30 UNI5931/DIN912-8.8	1 PZ
85	300076	VTT0032249	SCREW M10X25 UNI5933/DIN7991-8.8	3 PZ
86	310341	RLS0032233	WASHER 34,5X57X5 (TO DRAW)	1 PZ
87	310343	RLS0032252	WASHER 28,4X48,5X5,8 (NL27SP)	1 PZ
88	330251	AT0035670	SEAL RING 45X60X8 FORM AS (A+P)	1 PZ
50	420307	MECMG100HT-32	LANTERN BRACKET	1 PZ
59	460365	MECMG100HT-240	PTO SHAFT GUARD	1 PZ
71	300206	VTT02591	SCREW M6X10 UNI5931/DIN912-8.8	2 PZ