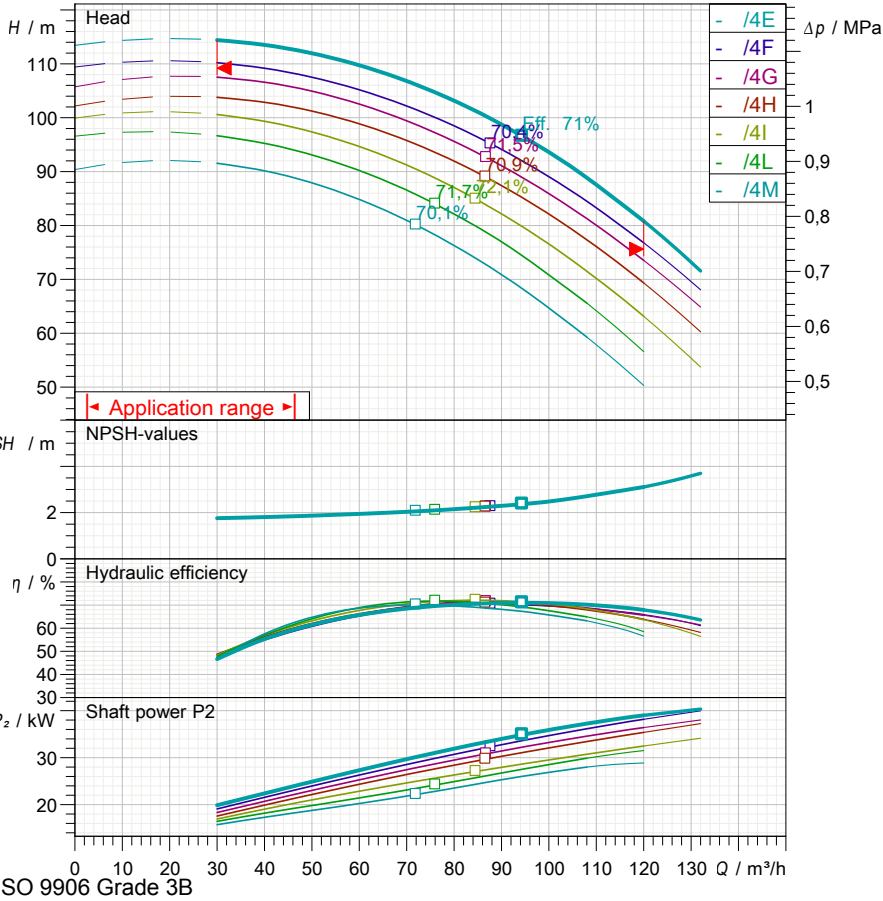


## Technical data

### S3K100/4E



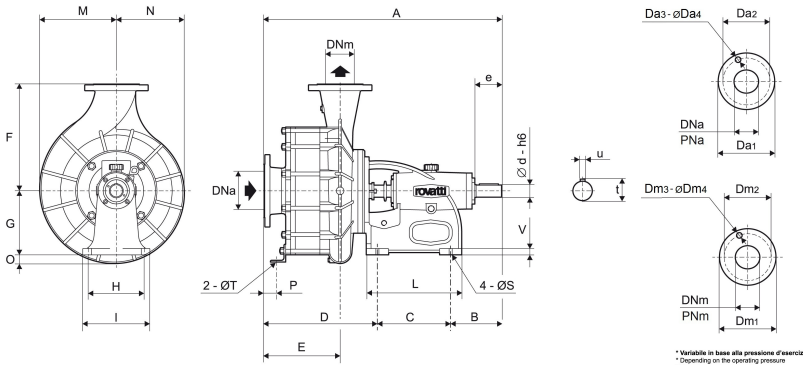
Operating data specification	
Capacity	
Head	
Fluid	Pure water
Type of installation	<Single head pump>

Pump operating data	
Design	S3K100/4E
Impeller Ø	
Speed	1450 1/min
Flow	
Head	
Shaft power P2	
Efficiency	
Head (Q=0)	113 m
Non return valve loss	

Electric motor technical data	
Design	
Rated power	
Frequency	
Number of poles	
Nominal speed	
Rated voltage	
Starting mode	
Rated current	
Insulation class	
Degree of protection	

Use limits	
Max N° startings/hour	
Max. runing time with Q=0	2 min
Max. solids contents	40 g/m <sup>3</sup>
Max. pumped liquid temperature	90 °C
Maximum density	998 kg/m <sup>3</sup>
Maximum viscosity	1 mm <sup>2</sup> /s

Materials	
Suction bowl	Cast iron
Wear ring	Cast iron
Impeller	Cast iron
Pump body	Cast iron
Twiner system®	Stainless steel
Stuffing-box packing	Synthetic fibers
Bearing support	Cast iron
Tie rod	Steel
Diffuser shell	Cast iron
Diffuser	Cast iron
Shaft protection bushing	Steel
Shaft	Steel



\* Variabile in base alla pressione d'esercizio  
\* Depending on the operating pressure  
\* Selon la pression de service  
\* Abhängig von den Druck  
\* Variable con la presión

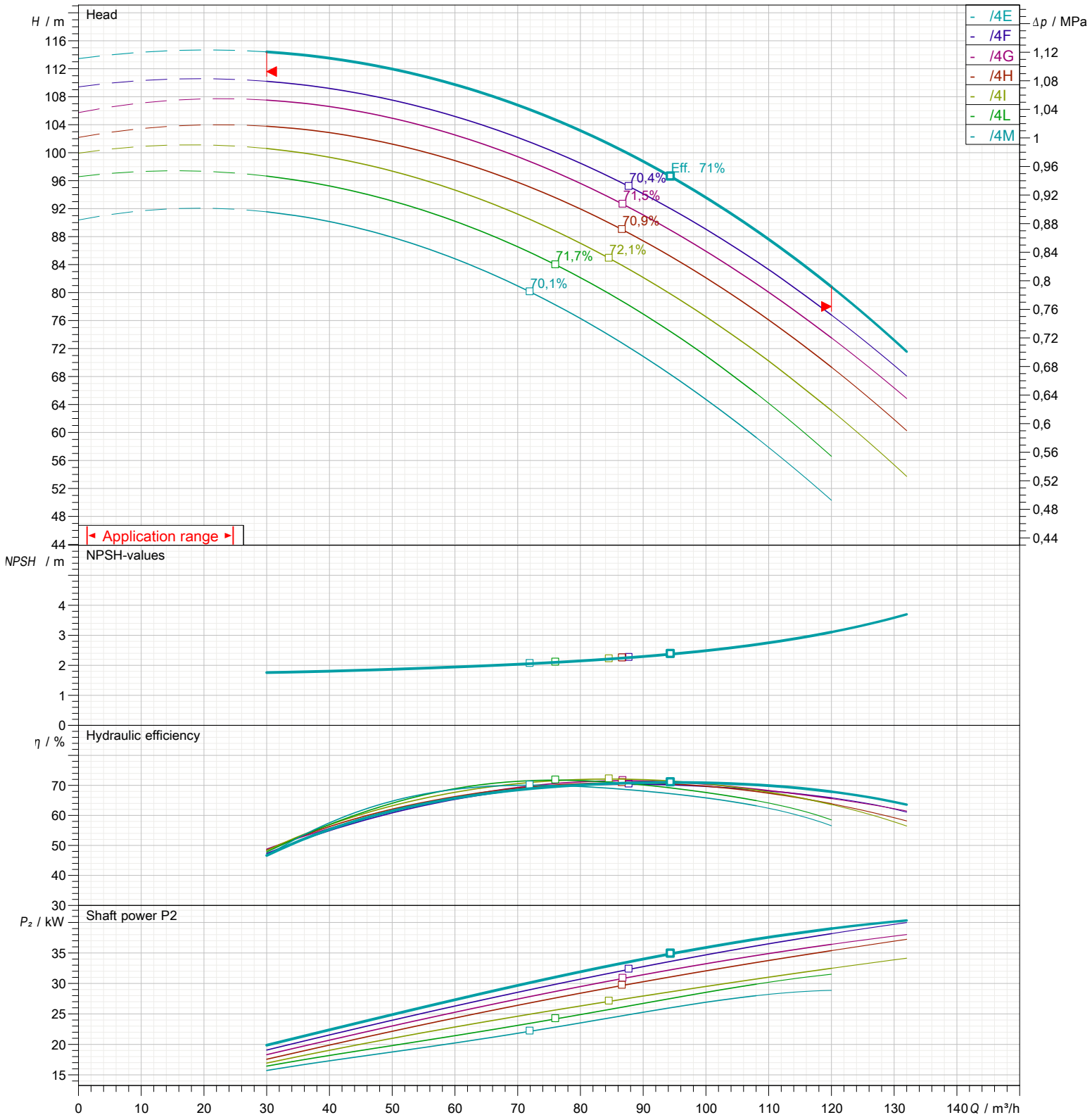
Dimensions in					Total weight				
mm					240 kg				
DNa	100	G	280	S	24	Da2	180	Da3	8
DNm	80	H	240	T	16	PNε	10		
A	1073	I	285	V	30	Dm1	200		
B	197	L	400	d	48	Dm2	160		
C	300	M	240	e	110	PNrr	16 \ 25*		
D	576	N	220	u	12	Da4	19		
E	431	O	\	t	52	Dm4	8		
F	330	P	51	Da1	220	Dm4	19		

## Performance curves

### S3K100/4E

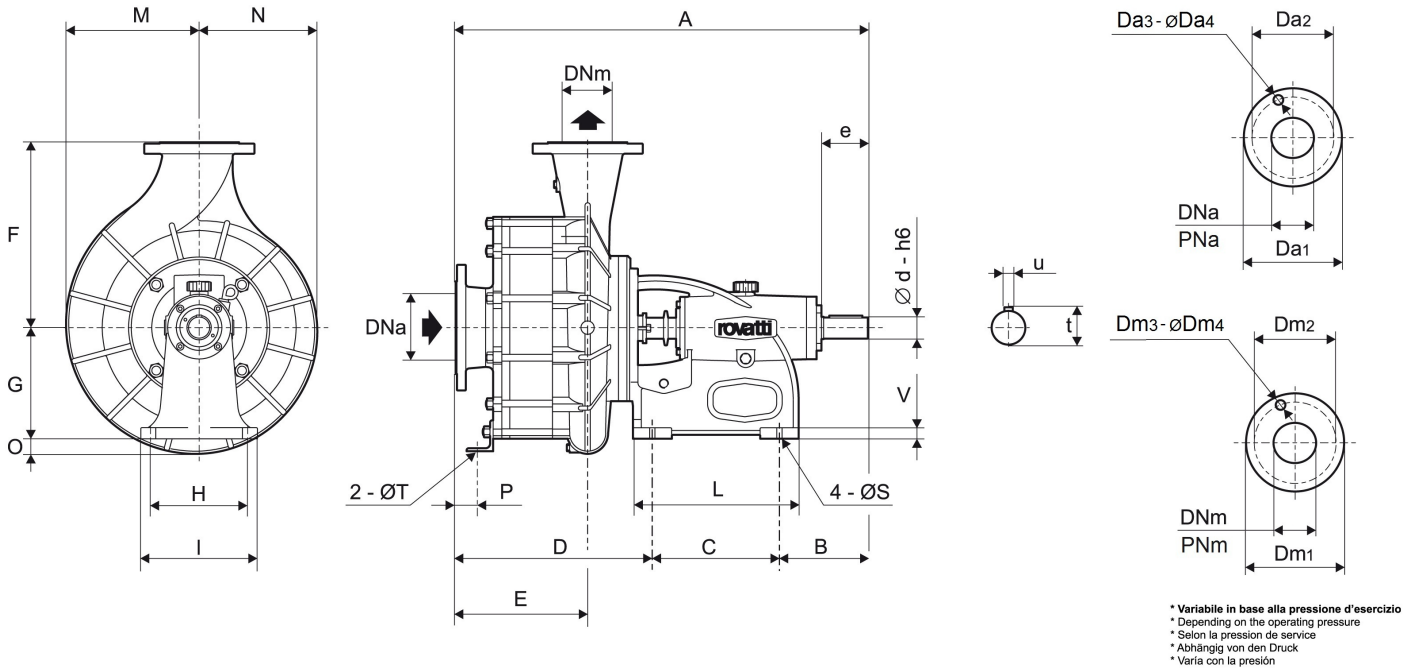
#### Performances

Speed	1450 1/min		Density	998 kg/m <sup>3</sup>
Flow	Min.	30 m <sup>3</sup> /h	Viscosity	1 mm <sup>2</sup> /s
	Max.	120 m <sup>3</sup> /h	Temperature	20 °C
Efficiency	Max.	94,4 m <sup>3</sup> /h	Tolerances	ISO 9906 Grade 3B



## Types of installation

### S3K100/4E



\* Variabile in base alla pressione d'esercizio  
 \* Depending on the operating pressure  
 \* Selon la pression de service  
 \* Abhängig von den Druck  
 \* Varía con la presión

Dimensions in	mm	Total weight	240 kg
DNa	100	u	12
DNm	80	t	52
A	1073	Da1	220
B	197	Da2	180
C	300	PNa	10
D	576	Dm1	200
E	431	Dm2	160
F	330	PNr	16 \ 25*
G	280	Da4	19
H	240	Dm4	8
I	285	Dm4	19
L	400	Da3	8
M	240		
N	220		
O	\		
P	51		
S	24		
T	16		
V	30		
d	48		
e	110		