

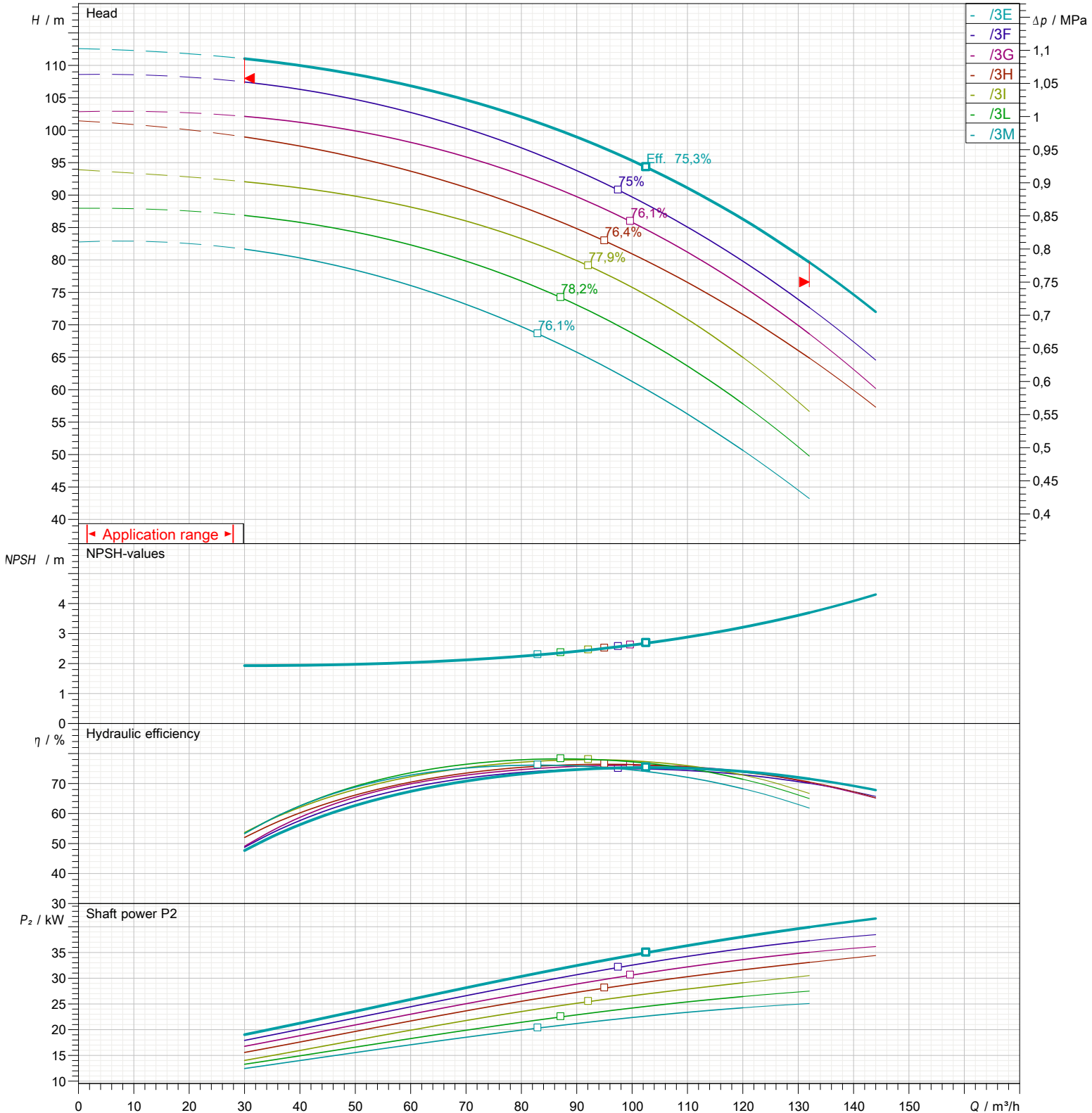


## Performance curves

### F33K100H/3E

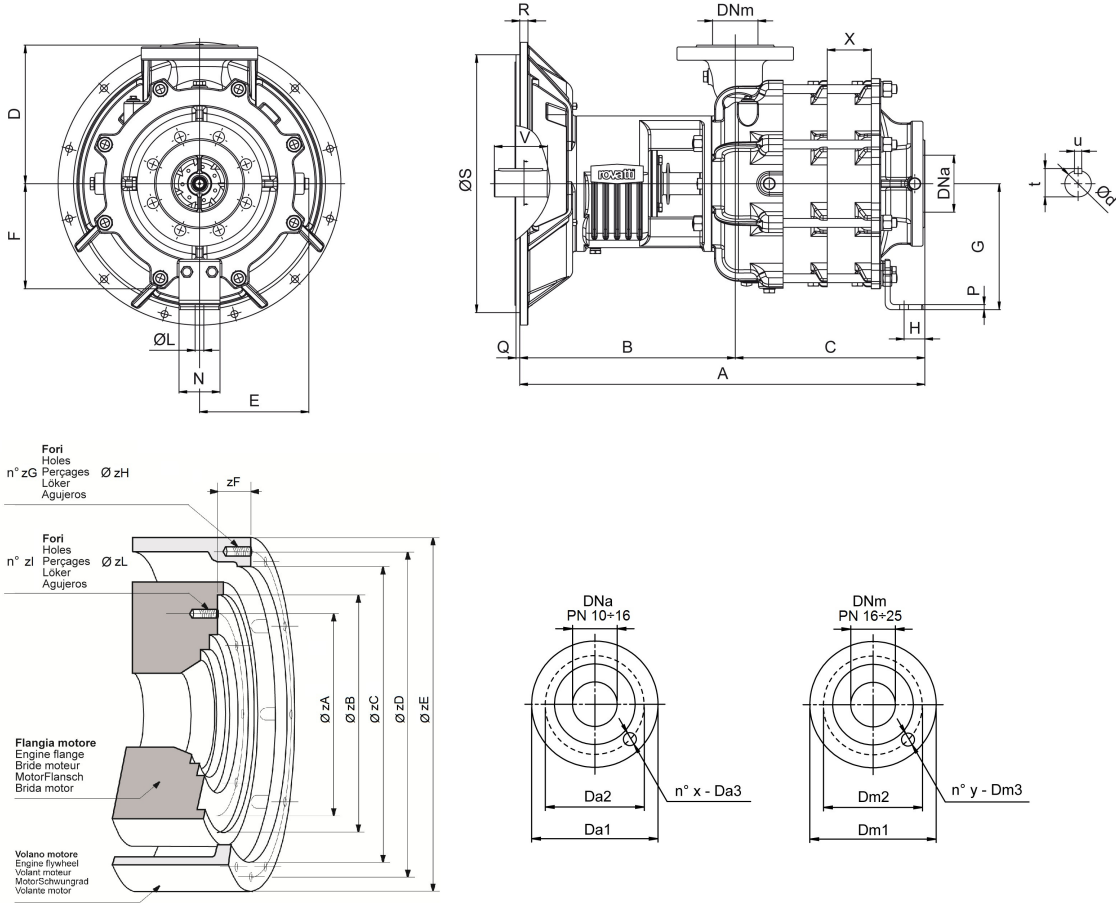
#### Performances

Speed	1600 1/min		Density	998 kg/m <sup>3</sup>
Flow	Min.	30 m <sup>3</sup> /h	Viscosity	1 mm <sup>2</sup> /s
	Max.	132 m <sup>3</sup> /h	Temperature	20 °C
Efficiency	Max.	103 m <sup>3</sup> /h	Tolerances	ISO 9906 Grade 3B



## Types of installation

### F33K100H/3E



Dimensions in	mm	Total weight	162 kg
DNa	100	Q	6
DNm	80	R	13
Da1	220	S	409,6
Da2	180	X	97
Da3	19	d	42
x	8	t	45
Dm1	200	u	12
Dm2	160	V	84
Dm3	19	zA	244,5
y	8	zB	263,5
A	700	zC	409,6
B	365	zD	428,6
C	335	zE	451
D	330	zF	61,61
E	240	zG	12
F	225	zH	M10
G	200	zI	6
H	51	zL	M10
L	16		
N	80		
P	5		