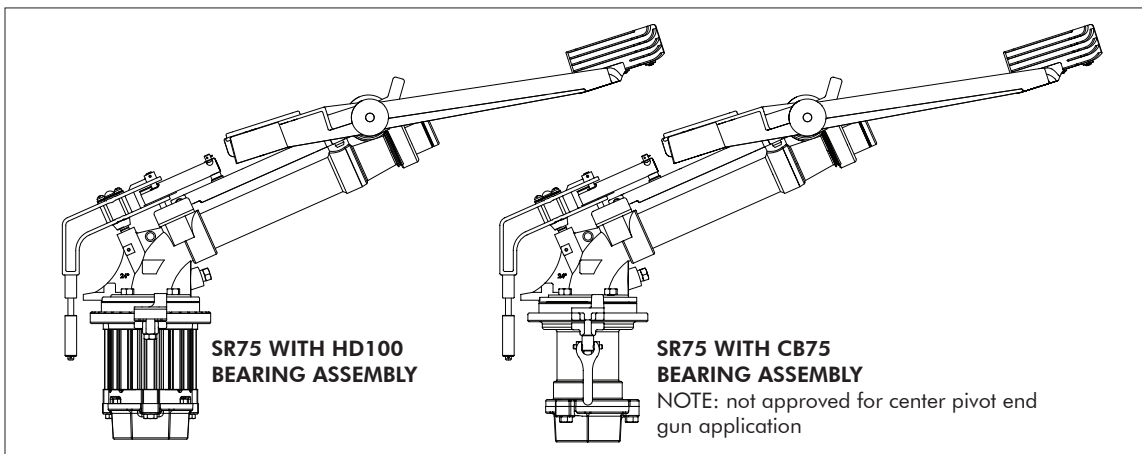


Innovation in Irrigation™

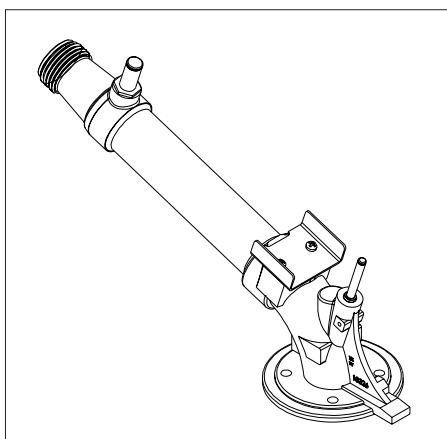
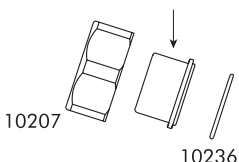


SR75 BIG GUN®

SR75 BIG GUN® PARTS LIST

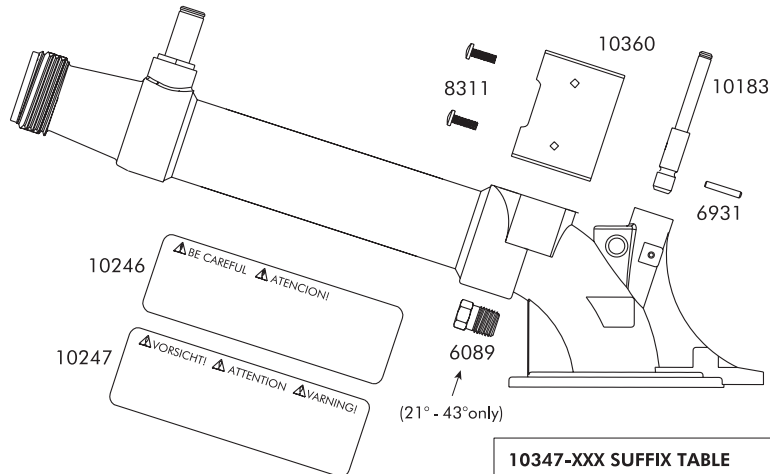


Nozzle shown for reference only.
Order nozzles from WG-PL Price List.



10347-XXX BODY ASSEMBLY

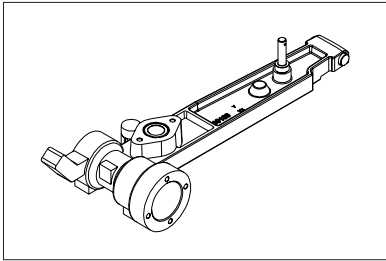
(SEE SUFFIX TABLE)



10347-XXX SUFFIX TABLE

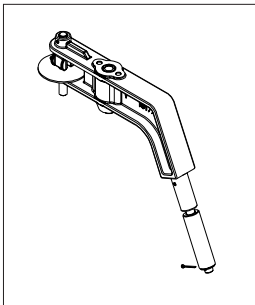
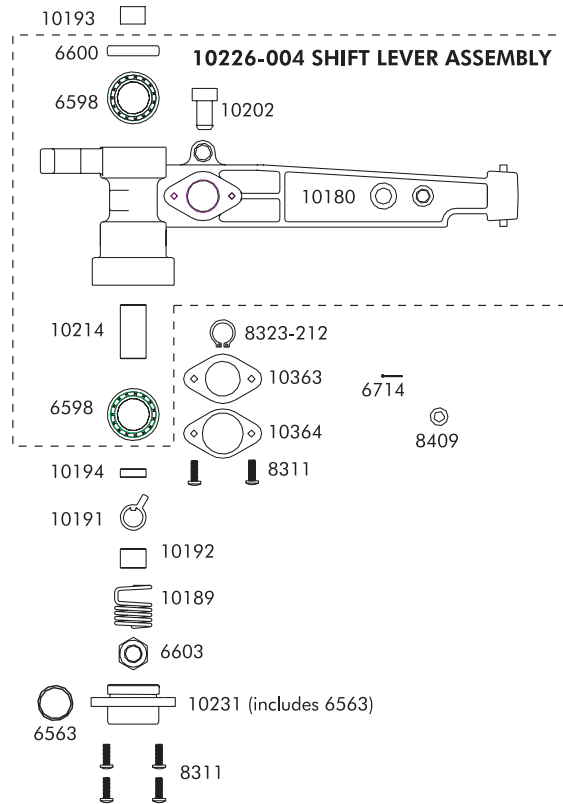
| PART NO. | DESCRIPTION |
|-----------|----------------|
| 10347-118 | Body Assy, 18° |
| 10347-121 | Body Assy, 21° |
| 10347-124 | Body Assy, 24° |
| 10347-143 | Body Assy, 43° |

| 10347-XXX part number | BODY ASSEMBLY, SR75 description | qty. |
|-----------------------|---|------|
| 6089 | 3RN Plug | 1 |
| 6931 | Pin, Coiled Spring, .125" x .75" | 1 |
| 8311 | Screw, #8-32 x .375", Self-Tapping Pan Head | 4 |
| 10183 | Shaft, Trip Lever - SR75 | 1 |
| 10246 | Label, Warning - English, Spanish | 1 |
| 10247 | Label, Warning - German, Swedish | 1 |
| 10360 | Stop, Shift Lever - SR75 | 1 |



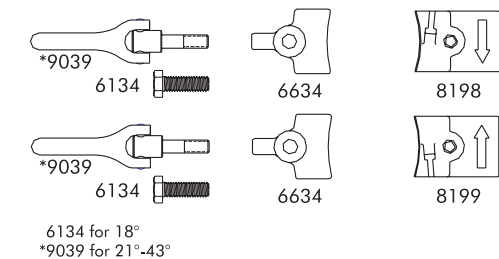
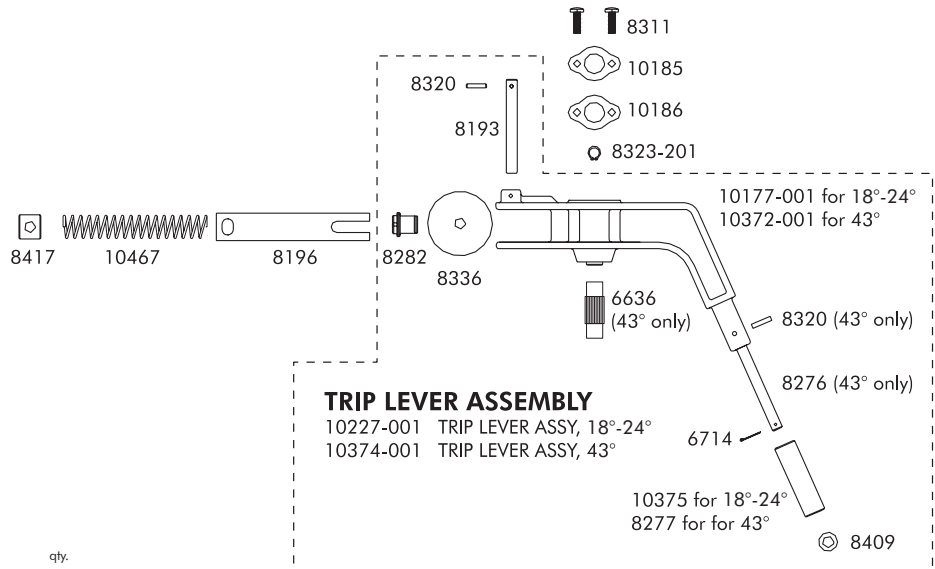
10226-004 SHIFT LEVER ASSEMBLY, SR75

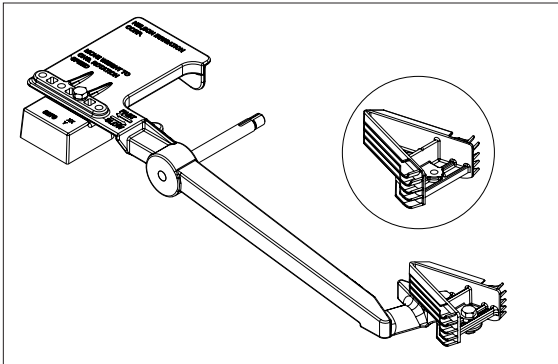
| part number | description | qty. |
|-------------|-------------------------------|------|
| 6598 | Bearing, Ball, 12 x 32 x 10mm | 2 |
| 6600 | Seal, Oil | 1 |
| 10180 | Lever, Shift - SR75 | 1 |
| 10202 | Bumper - SR75 | 1 |
| 10214 | Spacer, Drive Arm Brg - SR75 | 1 |



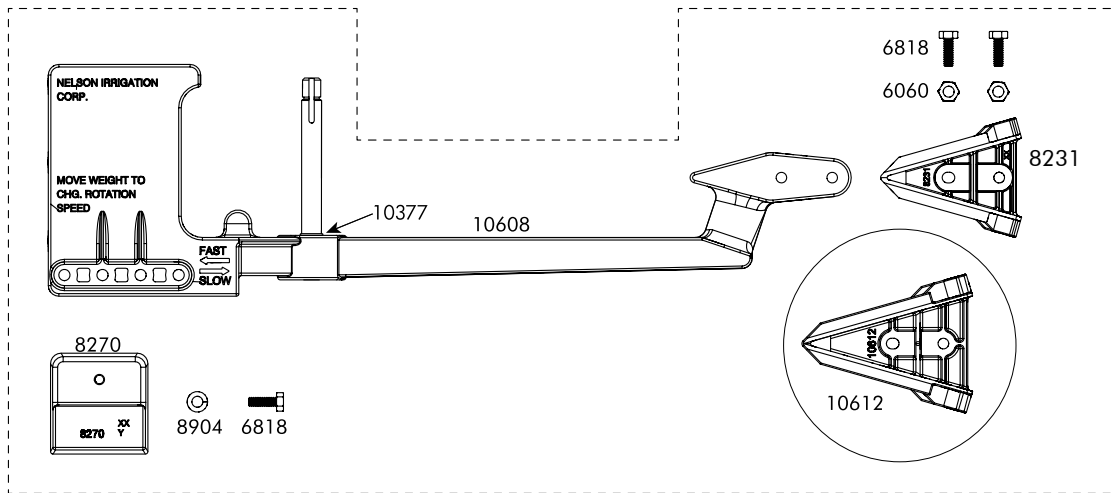
TRIP LEVER ASSEMBLY, SR75

| part number | description | qty. |
|-------------|-------------------------------------|------|
| 6636 | Bearing, Arm - F44 | 1 |
| 6714 | Pin, Cotter, .062" x .50" | 1 |
| 8193 | Pin, Stop - SR100 | 1 |
| 8276 | Shaft, Roller - SR100 | 1 |
| 8277 | Roller - SR100 Trip | 1 |
| 8282 | Follower, Trip Spring - SR Big Guns | 1 |
| 8320 | Pin, Coiled Spring, .094" x .50" | 1 |
| 8336 | Washer, Spring Guide - SR100 | 1 |
| 10177-001 | Lever, Trip - SR75 18°-24° | 1 |
| 10372-001 | Lever, Trip - SR75 43° | 1 |
| 10375 | Roller, Trip - SR75 18°-24° | 1 |



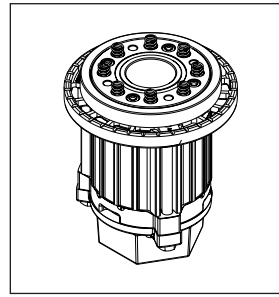
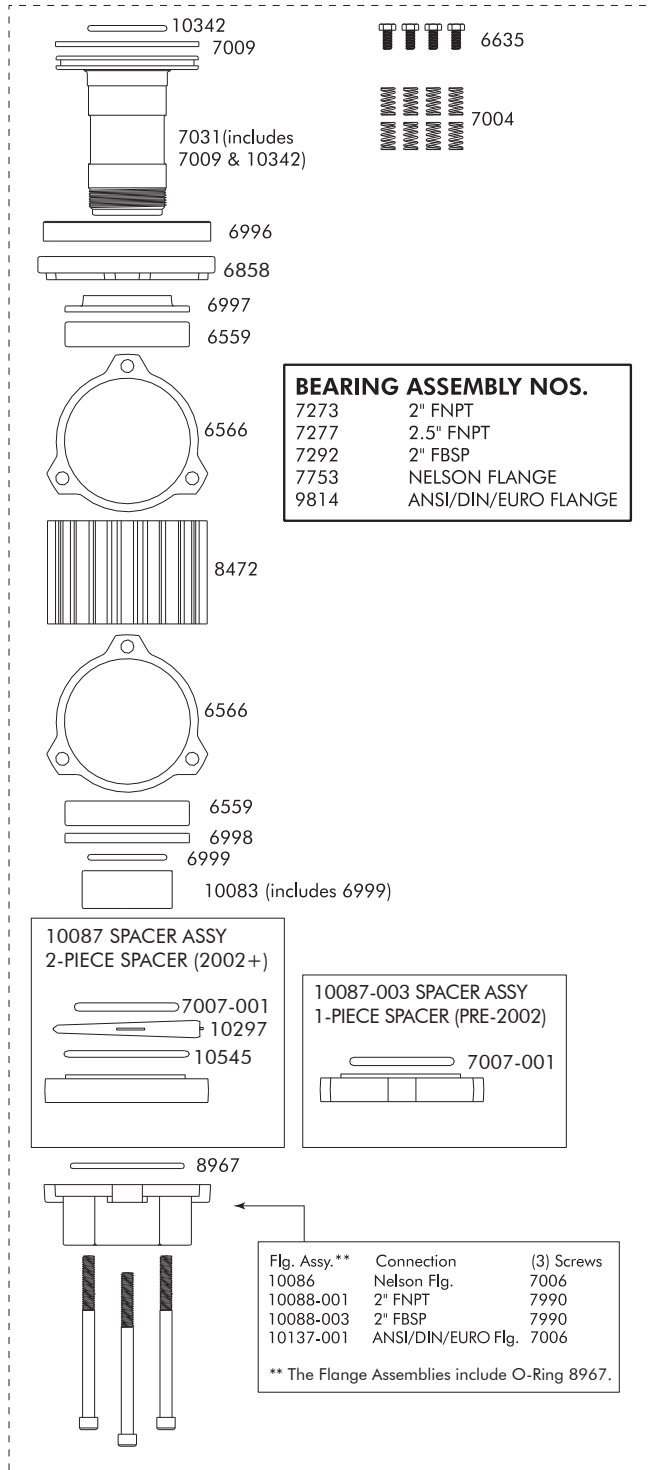


| part number | description | qty. |
|------------------|-------------------------------------|------|
| 10228-001 | DRIVE ARM ASSEMBLY, SR75 | |
| 6060 | Nut, .25-.20 x 75" | 2 |
| 8231 | Vane, Drive - SR100 | 1 |
| 8270 | Weight, Drive Arm - SR100 | 1 |
| 6818 | Screw, .25-.20 x .75", Hex Head Cap | 3 |
| 8904 | Washer, Spring Lock, .25" Regular | 1 |
| 10612 | Vane, Drive - SR75 | 1 |
| 10608 | Arm, Drive - SR75 | 1 |
| 10377 | O-Ring, .459 ID x .040 CS | 1 |



FINAL ASSEMBLY COMPONENTS

| part number | description | qty. |
|-------------|---|------|
| 6134 | Screw, .312-18 x 1.00", Hex Hd Cap | 2 |
| 6563 | O-Ring, -.024 | 1 |
| 6603 | Nut, .438-20 Special | 1 |
| 6634 | Clamp - SR100` | 2 |
| 6714 | Pin, Cotter, .062" x .50" | 1 |
| 8196 | Guide, Spring - SR100 | 1 |
| 8198 | Stop, CCW - SR100 | 1 |
| 8199 | Stop, CW - SR100 | 1 |
| 8311 | Screw, #8-32 x .375", Self-Tapping Pan Head | 8 |
| 8323-201 | Ring, Retaining, -.25 Basic External | 1 |
| 8323-212 | Ring, Retaining, -.50 Basic External | 1 |
| 8409 | Washer, Roller - SR100 | 1 |
| 8417 | Stop, Trip Spring | 1 |
| 10185 | Cap, Trip Lever - SR75 | 1 |
| 10186 | Gasket | 1 |
| 10189 | Spring, Torsion - SR75 | 1 |
| 10191 | Cam - SR75 | 1 |
| 10192 | Spacer, Drive Arm Shaft - SR75 | 1 |
| 10193 | Spacer, Drive Arm Shaft, Teflon Coated - SR75 | 1 |
| 10194 | Spacer, Drive Arm Shaft - SR75 | 1 |
| 10207 | Cap, Nozzle - 75TR | 1 |
| 10231 | Cap Assy, Arm Bearing - SR75 | 1 |
| 10236 | O-Ring, -.025 | 1 |
| 10363 | Gasket, Shift Lever Cap - SR75 | 1 |
| 10364 | Cap, Shift Lever - SR75 | 1 |
| 10467 | Spring, Trip - SR75 | 1 |



HD100 BEARING ASSEMBLY

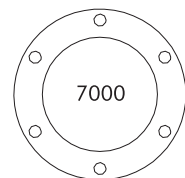
| part number | description | qty. |
|-------------|---|------|
| 6559 | Bearing, Ball, 50 x 80 x 16mm | 2 |
| 6566 | Gasket, Housing - HD100 | 2 |
| 6635 | Screw, .3125-18 x 688" Hex Hd. Cap | 4 |
| 6858 | Cover, Part Circle - HD100 | 1 |
| 6996 | Ring, Brake - HD100 | 1 |
| 6997 | Seal, Upper - HD100 | 1 |
| 6998 | Seal, Center - HD100 | 1 |
| 6999 | O-Ring, -224 | 1 |
| 7004 | Spring, Brake - HD100 | 8 |
| 7006 | Screw, .3125-18 x 3.50" Hex Skt Hd Cap | 3 |
| 7007-001 | O-Ring, -331, Special, Externally Lubed | 1 |
| 7009 | Seal, Dust - HD100 | 1 |
| 7031 | Shaft Assembly - HD100 | 1 |
| 7990 | Screw, .3125-18 x 4.25" Hex Hd Cap | 3 |
| 7991 | Screw, .3125-18 x 4" Hex Skt Hd Cap | 3 |
| 8472 | Housing - HD100 | 1 |
| 8967 | O-Ring -231, Special | 1 |
| 10083 | Retainer Assembly - HD100 | 1 |
| 10086 | Flange Assembly, Nelson | 1 |
| 10087 | Spacer Assy, Alum. - HD100 | 1 |
| 10087-003 | Spacer Assy, Brass - HD100 | 1 |
| 10088-001 | Flange Assembly, 2" FNPT | 1 |
| 10088-003 | Flange Assembly, 2" FBSP | 1 |
| 10088-006 | Flange Assembly, 1.5" FNPT | 1 |
| 10088-007 | Flange Assembly, 1.5" FBSP | 1 |
| 10137-001 | Flange Assembly, 2" ANSI/DIN/EURO | 1 |
| 10297 | Retainer, O-Ring - HD100 | 1 |
| 10342 | O-Ring, -225 | 1 |
| 10545 | O-Ring, -149 | 1 |

MOUNTING HARDWARE

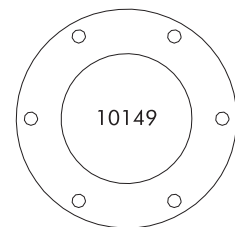
| part number | description | qty. |
|-------------|---------------------------------------|------|
| 7000 | Gasket, Nelson Flange | 1 |
| 7039 | Screw, .3125-18 x .75" Hex Skt Hd Cap | 6 |
| 10149 | Gasket, Euro Flange | 1 |

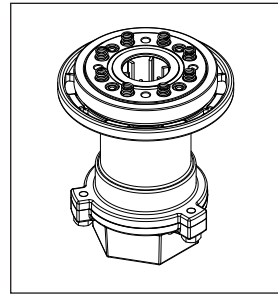
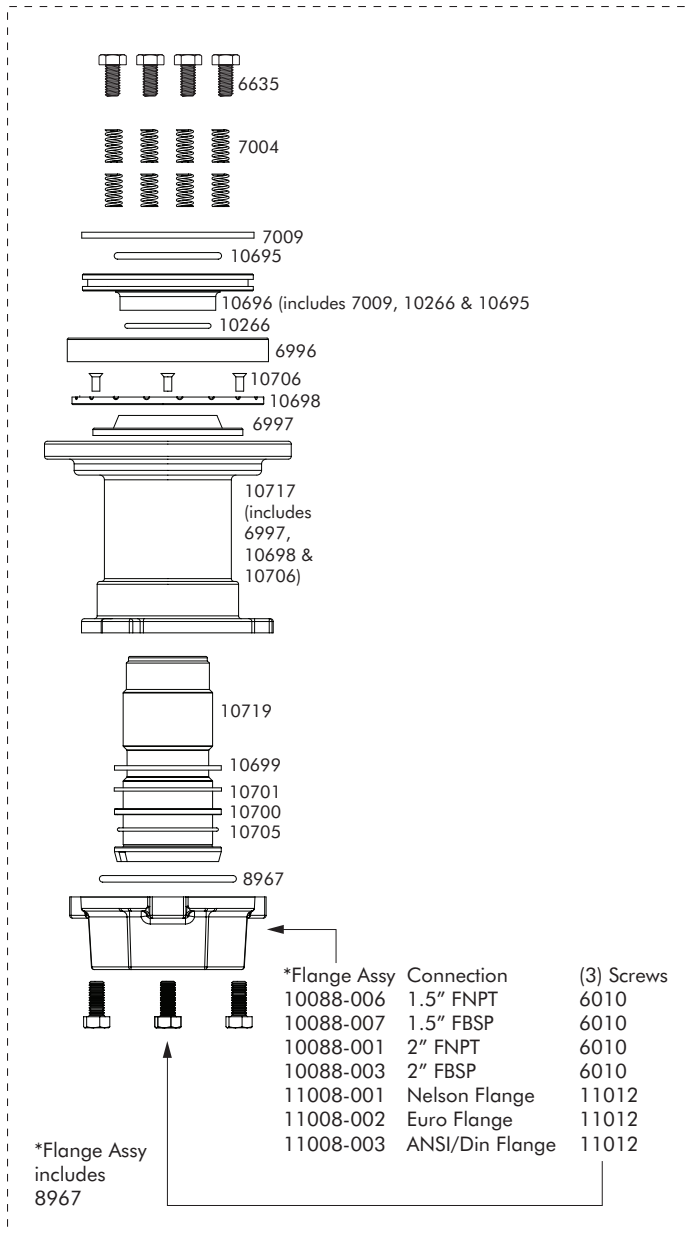
FLANGE GASKET AND FASTENERS FOR MOUNTING GUN

NELSON FLG. CONN.



EURO FLG. CONN.





CB75 BEARING ASSEMBLY

| part number | description | qty. |
|-------------|-------------------------------------|------|
| 6635 | Screw, 5/16-18 x 11/16" Hex Hd. Cap | 4 |
| 6996 | Ring, Brake - HD100 | 1 |
| 6997 | Seal, Upper - HD100 | 1 |
| 7004 | Spring, Brake - HD100 | 8 |
| 7009 | Seal, Dust - HD100 | 1 |
| 8967 | O-Ring, -231 Special | 1 |
| 10695 | O-Ring, -226 | 1 |
| 10266 | O-Ring, -130 | 1 |
| 10696 | Adapter Assembly - CB75 | 1 |
| 10698 | Cover, Wear - CB75 | 1 |
| 10699 | Washer, Seal, Upper - CB75 | 1 |
| 10700 | Washer, Seal, Lower - CB75 | 1 |
| 10701 | Washer, CB75 | 1 |
| 10705 | O-Ring, -033 | 1 |
| 10706 | Screw, #8-32 x .375" Flat Csk Hd. | 3 |
| 10717 | Housing Assy, CB75 | 1 |
| 10719 | Bearing Assy, Nipple - CB75 | 1 |

MOUNTING HARDWARE (See previous page)

WARRANTY AND DISCLAIMER: Nelson Big Gun® Sprinklers are warranted for one year from date of original sale to be free of defective materials and workmanship when used within the working specifications for which the products were designed and under normal use and service. The manufacturer assumes no responsibility for installation, removal or unauthorized repair of defective parts. The manufacturer's liability under this warranty is limited solely to replacement or repair of defective parts and the manufacturer will not be liable for any crop or other consequential damages resulting from defects or breach of warranty. THIS WARRANTY IS EXPRESSLY IN LIEU OF ALL OTHER WARRANTIES, EXPRESS OR IMPLIED, INCLUDING THE WARRANTIES OF MERCHANTABILITY AND FITNESS FOR PARTICULAR PURPOSES AND OF ALL OTHER OBLIGATIONS OR LIABILITIES OF MANUFACTURER. No agent, employee or representative of the manufacturer has authority to waive, alter or add to the provisions of this warranty, nor to make any representations or warranty not contained herein. This product may be covered by one or more of the following U.S. Patent Nos. D297,453, 3,559,887, 3,744,720, 4,193,548, 4,669,663 and other U.S. Patents pending or corresponding issued or pending foreign patents.